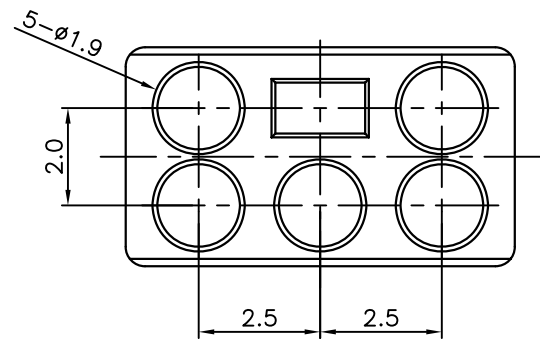
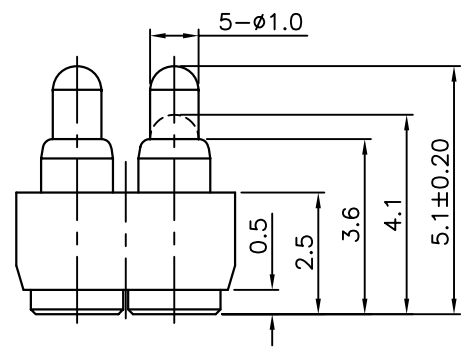
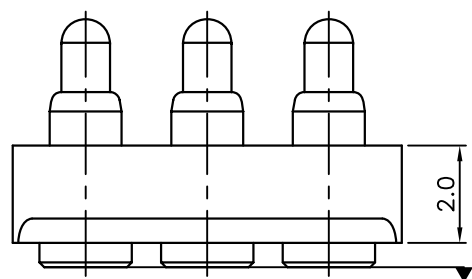
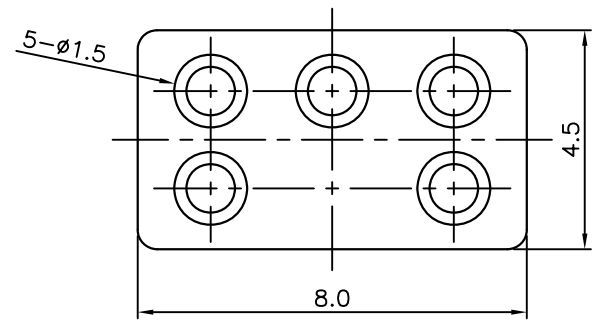


PART No. SVPC-S-N005M7-05BHR

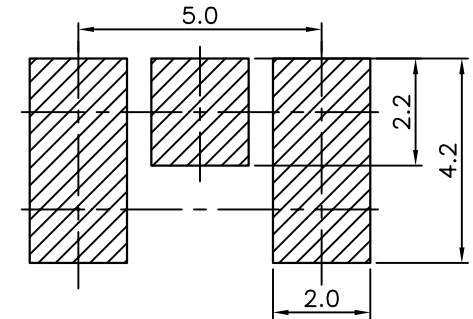
REVISIONS

LTR	DESCRIPTION	DATE	APPROVED	NOTE
	INITIAL RELEASE	03/18/06'		ECN-9503031
⚠				
⚠				
⚠				



NOTE :

- Material
 - .Housing : Black PA9T (UL94V-0)
 - .Plunger & Barrel : Brass
 - .Spring : SUS 304
- Plating
 - .Contact Surface : 10 μ" minimum Au over 50~100 μ"Ni
- Electrical
 - .Rated Current & Voltage : DC 12 V ; 1 A
 - .Contact Resistance : 50 mΩ maximum at Working Height. (Quiescence)
- Mechanical
 - .Unloaded Height : 5.1 mm
 - .Working Height : 4.1 mm
 - .Spring Force : 110 g ±20% at Working Height
 - .Durability : 10,000 cycles (minimum)
- To ensure the best usage, please operate it based on the working Height



RECOMMENDED PCB LAYOUT

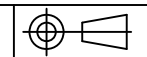
DRAWN		SCALE: 6.25: 1
CHECKED		SHEET: 1 OF 1
APPROVED		DATE: 03/18/06'
DIMENSIONS ARE IN MILLIMETERS TOLERANCES ARE:		Pitch 2.5x2.0mm Height 5.1mm
X. ± .25	ANGLES ± 2.0°	
X.X ± .15	± 1.0°	
X.XX ± .10	± 0.5°	
UNIT : mm		
FILE PATH:		

N&H Technology GmbH

TITLE: SVPC-S-N005M7-05BHR
2-Pos Pogo Pin Connector



SIZE A4



DRAWING NO. N005M7-05BHR
REV. A0