

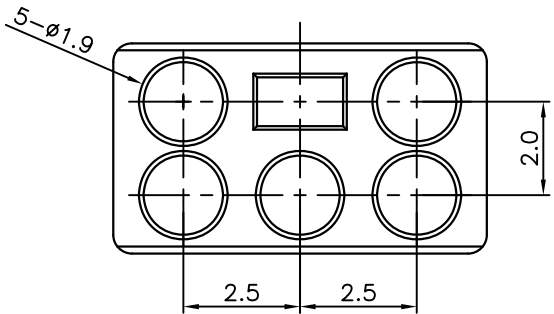
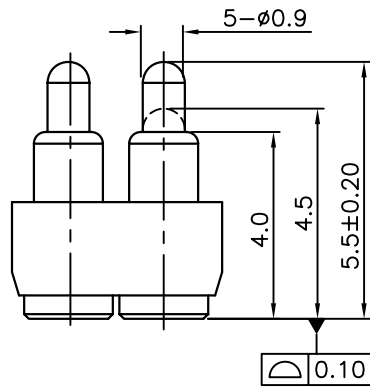
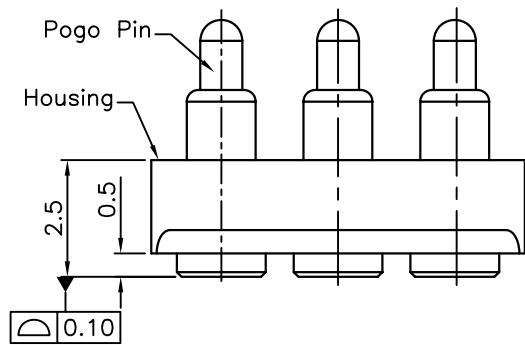
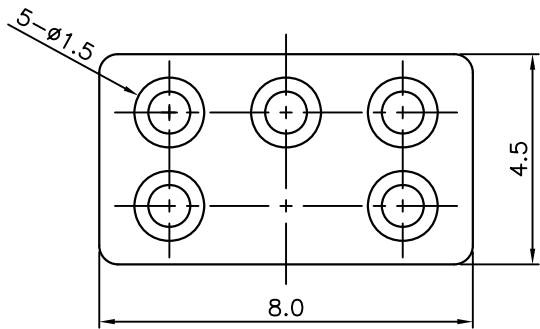
PART No. SVPC-S-N005M0-05BHR

Please Approve this Drawing

Date	
Signature	

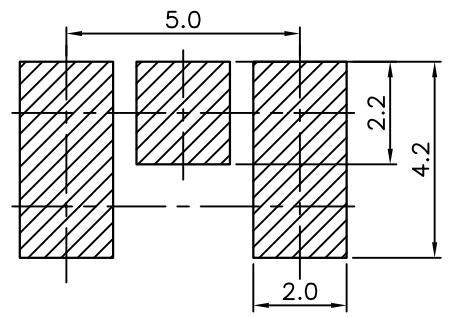
REVISIONS

LTR	DESCRIPTION	DATE	APPROVED	NOTE
	INITIAL RELEASE	10/28/04'		ECN-9310053
⚠				
⚠				
⚠				



NOTE :

- Material
 - .Housing : Black PA9T (UL94V-0)
 - .Plunger & Barrel : Brass
 - .Spring : SUS 304
- Plating
 - .Contact Surface : 10 μm minimum Au over 50~100 μmNi
- Electrical
 - .Rated Current & Voltage : DC 12 V ; 1 A
 - .Contact Resistance : 50 mΩ maximum at Working Height. (Quiescence)
- Mechanical
 - .Unloaded Height : 5.5 mm
 - .Working Height : 4.5 mm
 - .Spring Force : 110 g ±20% at Working Height
 - .Durability : 10,000 cycles (minimum)
- To ensure the best usage, please operate it based on the working Height



RECOMMENDED PCB LAYOUT

DRAWN		SCALE: 6 : 1
CHECKED		SHEET: 1 OF 1
APPROVED		DATE: 10/28/04'
DIMENSIONS ARE IN MILLIMETERS TOLERANCES ARE: DECIMALS ± .25 X.X ± .15 X.XX ± .10		ANGLES ± 2.0° ± 1.0° ± 0.5°
UNIT : mm		Pitch 2.5x2.0mm Height 5.5mm
FILE PATH:		

N&H Technology GmbH

TITLE: SVPC-S-N005M0-05BHR
5-Pos Pogo Pin Connector

SIZE A4	DRAWING NO. N005M0-05BHR	REV. A0
------------	-----------------------------	------------