

4

3

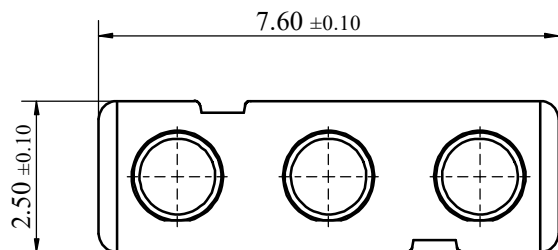
▽

2

1

REVISIONS (修正)

NO. (序号)	DESCRIPTION(描述)	DCN NO.(变更号)	DATE(日期)
D.0	NEW RELEASE	DCN-	-



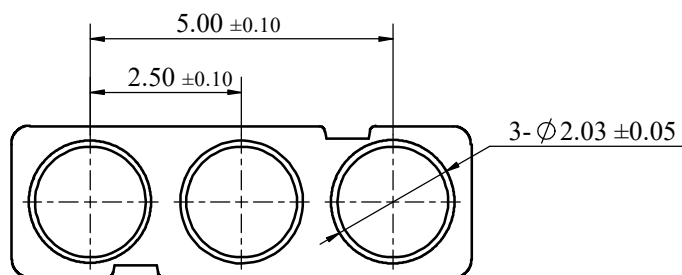
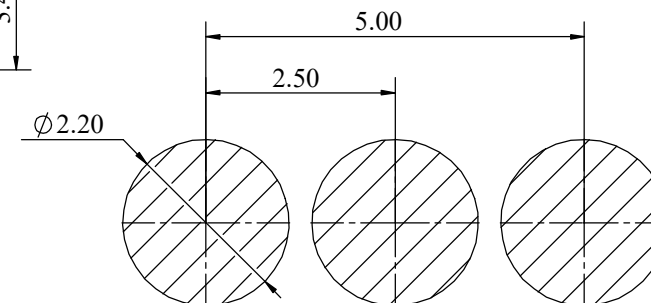
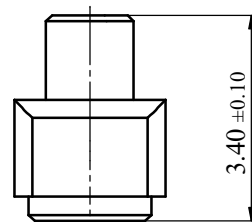
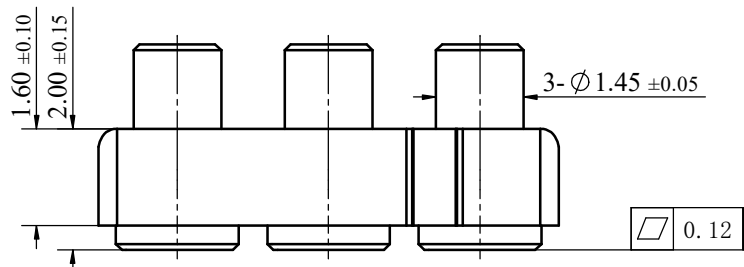
Please Approve this Drawing

Date

Signature

NOTES:

- Housing: High Temperature Polyester (UL94V-0), Black
- Pin: Lead-Free Brass
- Plating: Super AP
- RoHS & HF compliant product.



DRAW (设计)	王超	SCALE (比例)	10:1	UNIT (单位)	mm	DRAWING NO. (图号)	SVPC-C-P08945FL2-03AHR
COUNTER SIGN (会签)	N/A	SHEET (页数)	1 of 1	VIEW (视图)		MATERIAL (材质)	N/A
AUDIT (审核)	-	DATE (日期)	2021.03.09	VERSION (版次)	D.0	TITLE (品名)	Pin Conn.
APPROVE (核准)	-	PLATING (镀层)	See Notes (见备注)				

NOT INDICATED TOLERANCES ARE AS BELOW :

(未标记的公差)

LENGTH (尺寸)

ANGLE (角度)

0~6.0 ±0.05mm 0.0 ±2.0°
 >6~30 ±0.10mm 0.0 ±1.0°
 >30~120 ±0.15mm 0.00 ±0.50°

N&H Technology GmbH

4

3

▽

2

1