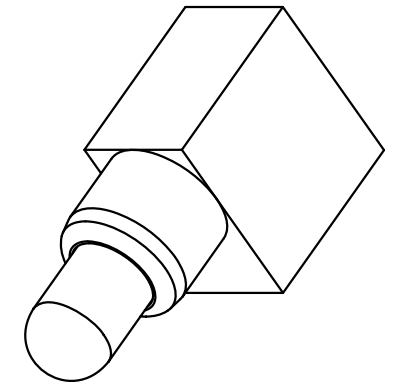
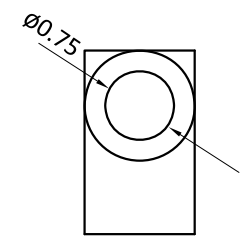
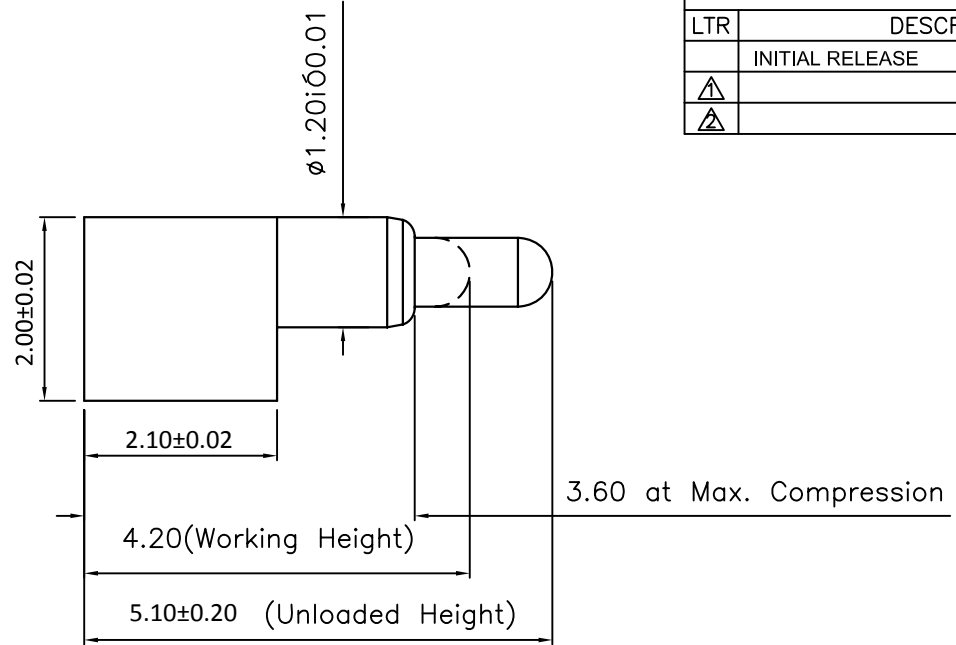
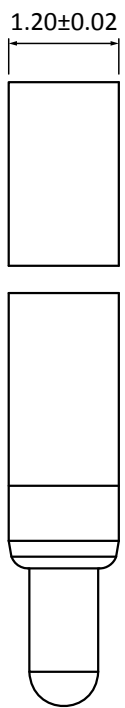


4
PART No. | SVPC-R-H050M0

REVISIONS				
LTR	DESCRIPTION	DATE	APPROVED	NOTE
	INITIAL RELEASE	2007/03/13		ECN-07031303
△				
△				



- 1. Material
 - .Plunger : Brass 3604
 - .Barrel : Brass 3604
 - .Spring : SUS304
- 2. Plating
 - .Contact Surface : 10 μ" minimum Au Over 50~100 μ" minimum Ni
- 3. Electrical
 - .Rated Current & Voltage : DC 12 V ; 1 A
 - .Contact Resistance : 50 mΩ maximum at Working Height(Quiescence)
- 4. Mechanical
 - .Spring Force : 80 g±20% at Working Height
 - .Durability: 10.000 cycles (min.)
- 5. To ensure the best usage, please operate it based on the working height
.Based on the Engineering Drawing, shall not exceed the maximum allowed compression.
- 6. RoHs and HF compliant product

DRAWN	SCALE: 12.5/1	N&H Technology GmbH	
CHECKED	SHEET: 1 OF 1		
APPROVED	DATE: 03/13/07	TITLE: Pogo Pin SVPC-R-H050M0	
DIMENSIONS ARE IN MILLIMETERS TOLERANCES ARE: X ± .20 ± 2.0° X.X ± .10 ± 1.0° X.XX ± .05 ± 0.5°			DRAWING NO. H050M0 REV. A.0
UNIT : mm	FILE PATH:		