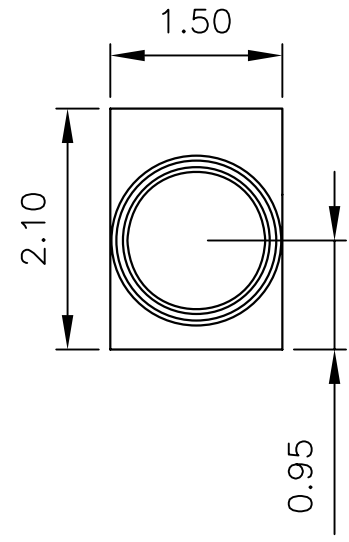
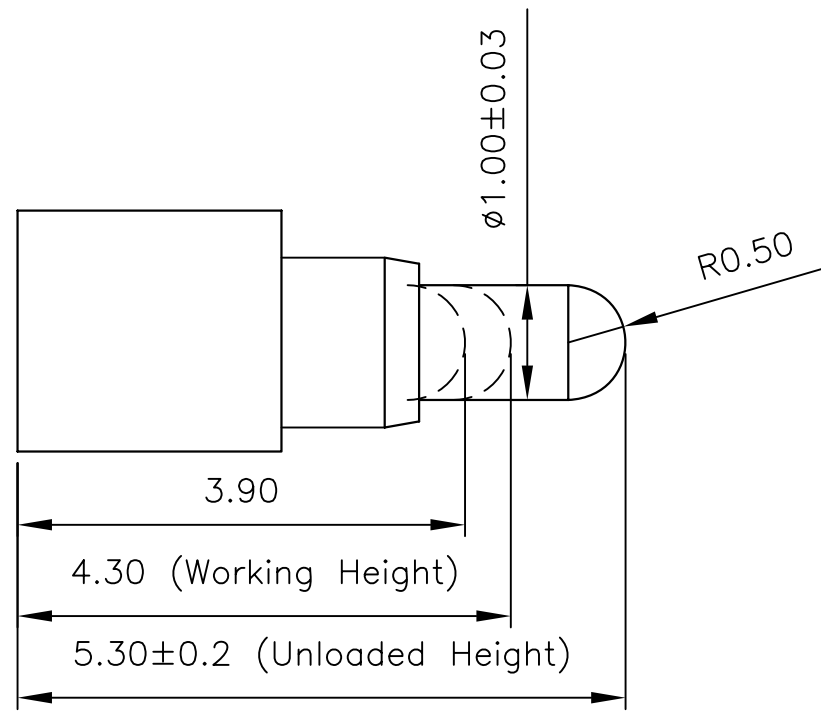


4  
PART No. SVPC-R-H036M0

REVISIONS				
LTR	DESCRIPTION	DATE	APPROVED	NOTE
	INITIAL RELEASE	2006/11/10		ECN-06111001
△				
△				



- Material
  - .Plunger : Brass 3604 N041P0-A15
  - .Barrel : Brass 3604 H036R0-A15
  - .Spring : SUS304 H003S0
- Plating
  - .Contact Surface : 10 μ" minimum Au Over 50~100 μ" minimum Ni
- Electrical
  - .Rated Current & Voltage : DC 12 V ; 1 A
  - .Contact Resistance : 50 mΩ maximum at Working Height(Quiescence)
- Mechanical
  - .Unloaded Height : 5.30 mm
  - .Working Height : 4.30 mm
  - .Spring Force : 120 g±20% at Working Height (1.0mm)
  - .Durability : 10000 cycles (minimun)

DRAWN		SCALE: 12.5/1	N&H Technology GmbH		
CHECKED		SHEET: 1 OF 1			
APPROVED		DATE: 06/10/12	TITLE: Pogo Pin SVPC-R-H036M0		
DIMENSIONS ARE IN MILLIMETERS TOLERANCES ARE: DECIMALS ANGLES X ± .10 ± 2.0° X.X ± .05 ± 1.0° X.XX ± .02 ± 0.5°		UNIT : mm	SIZE A4	DRAWING NO. H036M0	REV. A.0
FILE PATH:					