

4

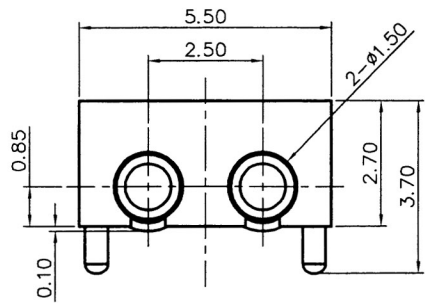
3

2

1

D

D



NOTE;

1.Material

Housing: Black HTN+30%GF UL94V-0  $\triangle$   
 Barrel&Plunger: BrassC3604  
 Spring: SUS304

2.Plating

Plunger&Barrel: 10microinch Au Min  
 over 50~100microinch Ni

3.Electrical

Rated current&voltage: DC12V; 1A  
 Contact resistance: 100mohm maximum  
 at working height(quiescence)

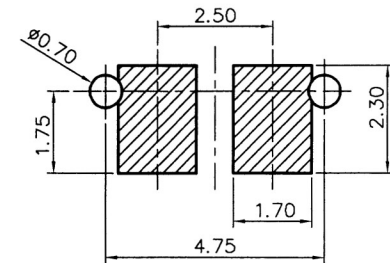
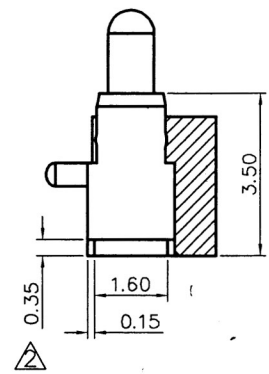
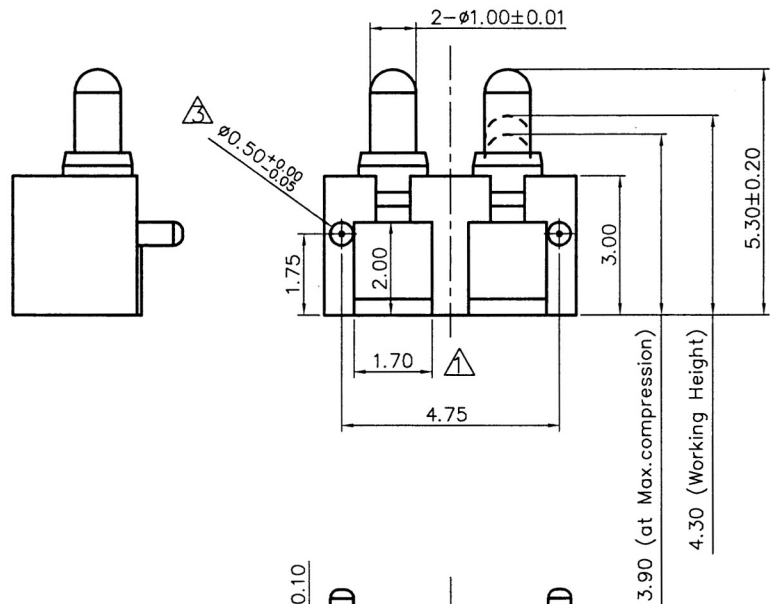
4.Mechanical

Spring Force: 120g±20% at working height  
 Durability:10,000 cycles(minimum)

5.RoHS complied product

C

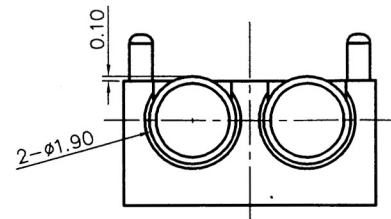
C



Recommended P.C.B.  
 Layout(Component Side)

B

B



A

A

DRAWN	赵高溪	SCALE:	20/1	UNIT	mm	DRAWING NO.	H020M0-H02BRR
CHECKED	周金明	SHEET:	1 OF 1	PROJECT	$\oplus$ $\triangleleft$	TITLE.	Pogo Pin Connector
APPROVED	周金明	DATE:	10/03/22	REV.	A2		

THE UNMARKED TOLERANCE ARE AS BELOW :

LENGTH	ANGLE		
0~6.0	±0.05mm	0.	±2.0°
>6~30	±0.10mm	0.0	±1.0°
>30~120	±0.15mm	0.00	±0.50°

**N&H Technology GmbH**  
**SVPC-R-H020M0-H02BRR**

4

3

2

1

A

A