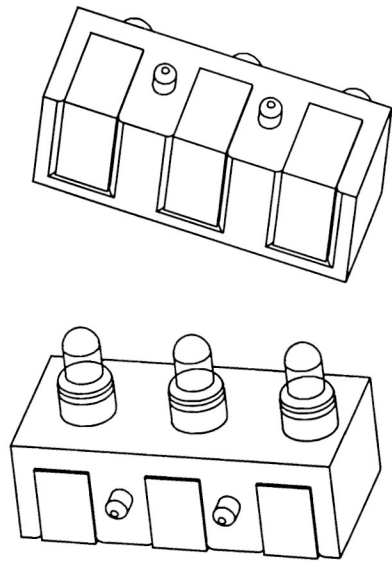
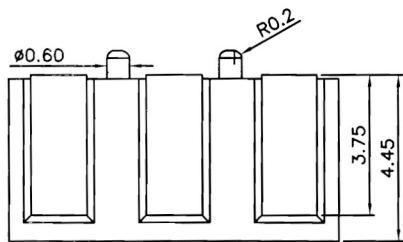
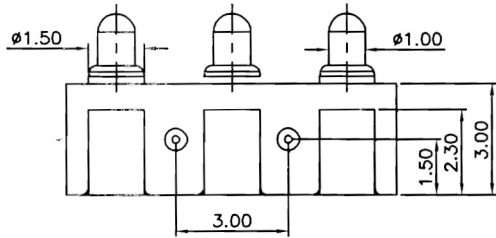
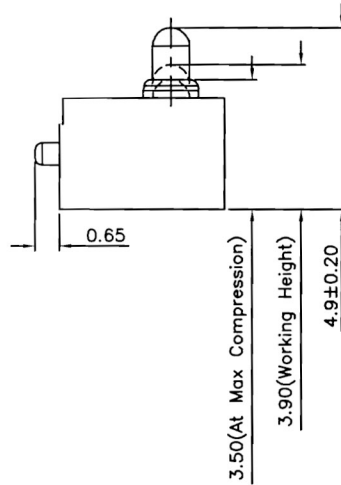
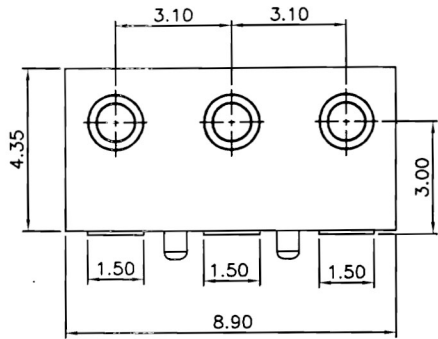
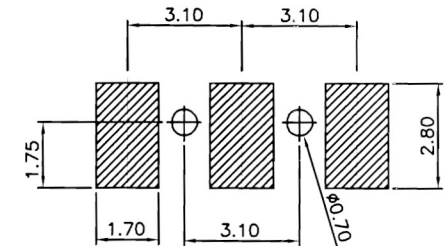


PART No. SVPC-R-H003M7-H03ARR



NOTE :

1. Material
  - .Housing : Black PA9T+30%GF UL94V-0
  - .Plunger & Barrel : Brass
  - .Spring : SUS 304
2. Plating
  - .Contact Surface : 10 μ" minimum Au over 50~100 μ"Ni
3. Electrical
  - .Rated Current & Voltage : DC 12 V ; 1 A
  - .Contact Resistance : 50 mΩ maximum at Working Height. (Quiescence)
4. Mechanical
  - .Unloaded Height : 4.90 mm
  - .Working Height : 3.90 mm
  - .Spring Force : 120 g ±20% at Working Height
  - .Durability : 10,000 cycles (minimum)



Recommended P.C.B. Layout(Component Side)

DRAWN		SCALE: 2.5 : 1
CHECKED		SHEET: 1 OF 1
APPROVED		DATED 09/07/07
DIMENSIONS ARE IN MILLIMETERS TOLERANCES ARE: DECIMALS                      ANGLES X     ± .20                      ± 2.0° XX   ± .10                      ± 1.0° XXX ± .05                      ± 0.5°		Pitch 3.1mm Height 4.9mm
UNIT : mm		
FILE PATH:		

N&H Technology GmbH

TITLE: SVPC-R-H003M7-H03ARR  
3-Pos Pogo Pin Connector

SIZE A4	DRAWING NO. H003M7-H03ARR	REV. D.0
------------	------------------------------	-------------