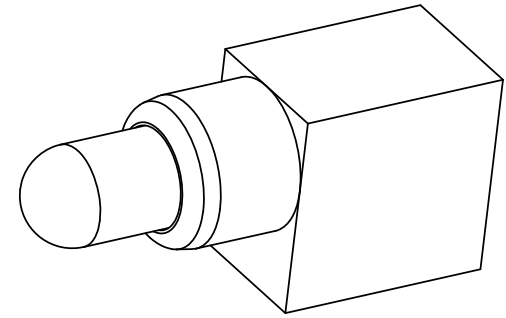
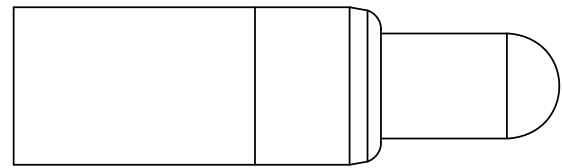


RECOMMEND PCB LAYOUT(TOP VIEW)
Layout Tolerance: $\pm 0.05\text{mm}$



- NOTE;
- Material
Plunger: brass
Barrel : brass
Spring: SUS
 - Plating
Plunger: 10 micro-inch minimum Au over 50~100 micro-inch nickel
Barrel : 10 micro-inch minimum Au over 50~100 micro-inch nickel
 - Electrical
Rated current & voltage: DC12V; 1A.
Contact resistance: 50 mohm maximum at working height(quiescence)
 - Mechanical
Spring force: $120\text{g} \pm 20\%$ at working height
Durability: 10,000 cycles(minimum)
 - To ensure the best usage, please operate it based on the working height
Based on the engineering drawings, shall not exceed the maximum allowed compression
 - Harmful material control please follow DOC. NO. "DQ03050"

DRAW		SCALE	10 : 1	UNIT	mm	DRAWING NO.	H003M1		
CHECK		SHEET	1 of 1	PROJECT		MATERIAL	Seeing notes		
AUDIT		COUNTER SIGN				DATE	2016.05.24	REV	A.0
APPROVE		PLATE	Seeing notes			TITLE	Pogo pin		

THE UNMARKED TOLERANCE ARE AS BELOW :

LENGTH		ANGLE	
0~6.0	$\pm 0.05\text{mm}$	0.	$\pm 2.0'$
>6~30	$\pm 0.10\text{mm}$	0.0	$\pm 1.0'$
>30~120	$\pm 0.15\text{mm}$	0.00	$\pm 0.50'$

N&H Technology GmbH
SVPC-R-H003M1