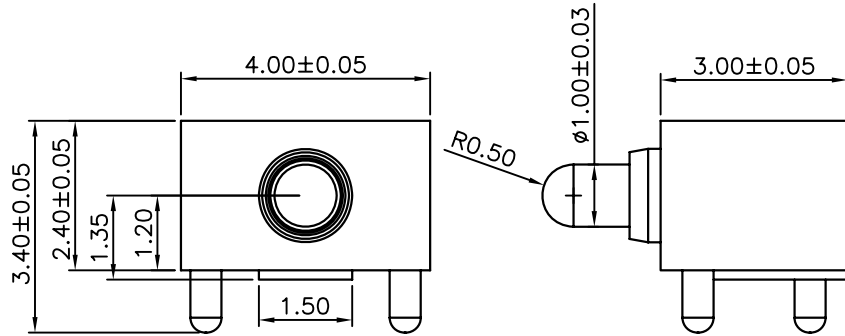
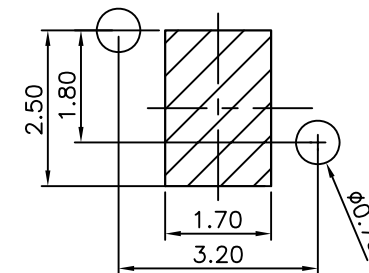
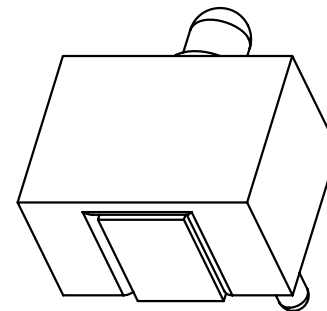
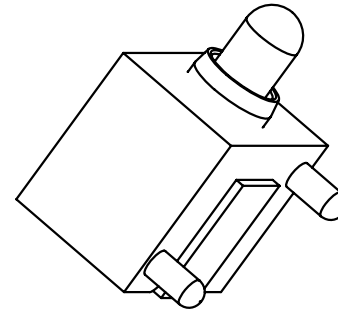
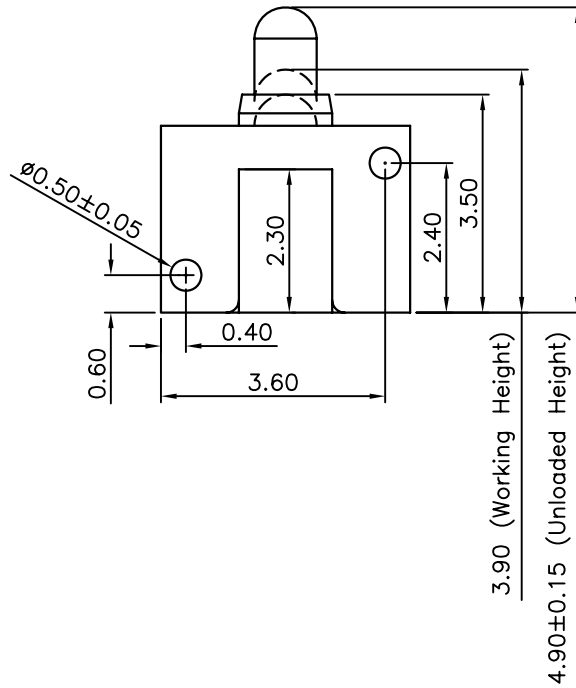


PART No. SVPC-R-H003M0-H01CRR



NOTE :

1. Material
 - .Housing : Black HTN (UL94V-0)
 - .Plunger & Barrel : Brass3604
 - .Spring : SUS 304
2. Plating
 - .Contact Surface : 10 μ" minimum Au over 50~100 μ"Ni
3. Electrical
 - .Rated Current & Voltage : DC 12 V ; 1 A
 - .Contact Resistance : 50 mΩ maximum at Working Height. (Quiescence)
4. Mechanical
 - .Unloaded Height : 4.90 mm
 - .Working Height : 3.90 mm
 - .Spring Force : 120 g ±20% at Working Height
 - .Durability : 10,000 cycles (minimum)



RECOMMEND PCB LAYOUT

DRAWN		SCALE: 8 : 1	N&H Technology GmbH	
CHECKED		SHEET: 1 OF 1		
APPROVED		DATE: 12/12/07	TITLE: SVPC-R-H003M0-H01CRR	
DIMENSIONS ARE IN MILLIMETERS TOLERANCES ARE:		Height 4.90mm	1-Pos Pogo Pin Connector	
DECIMALS	ANGLES		A	
X ± .25	± 2.0°	UNIT : mm	SIZE	DRAWING NO.
X.X ± .15	± 1.0°	FILE PATH:	A4	H003M0-H01CRR
X.XX ± .10	± 0.5°			REV. A.1