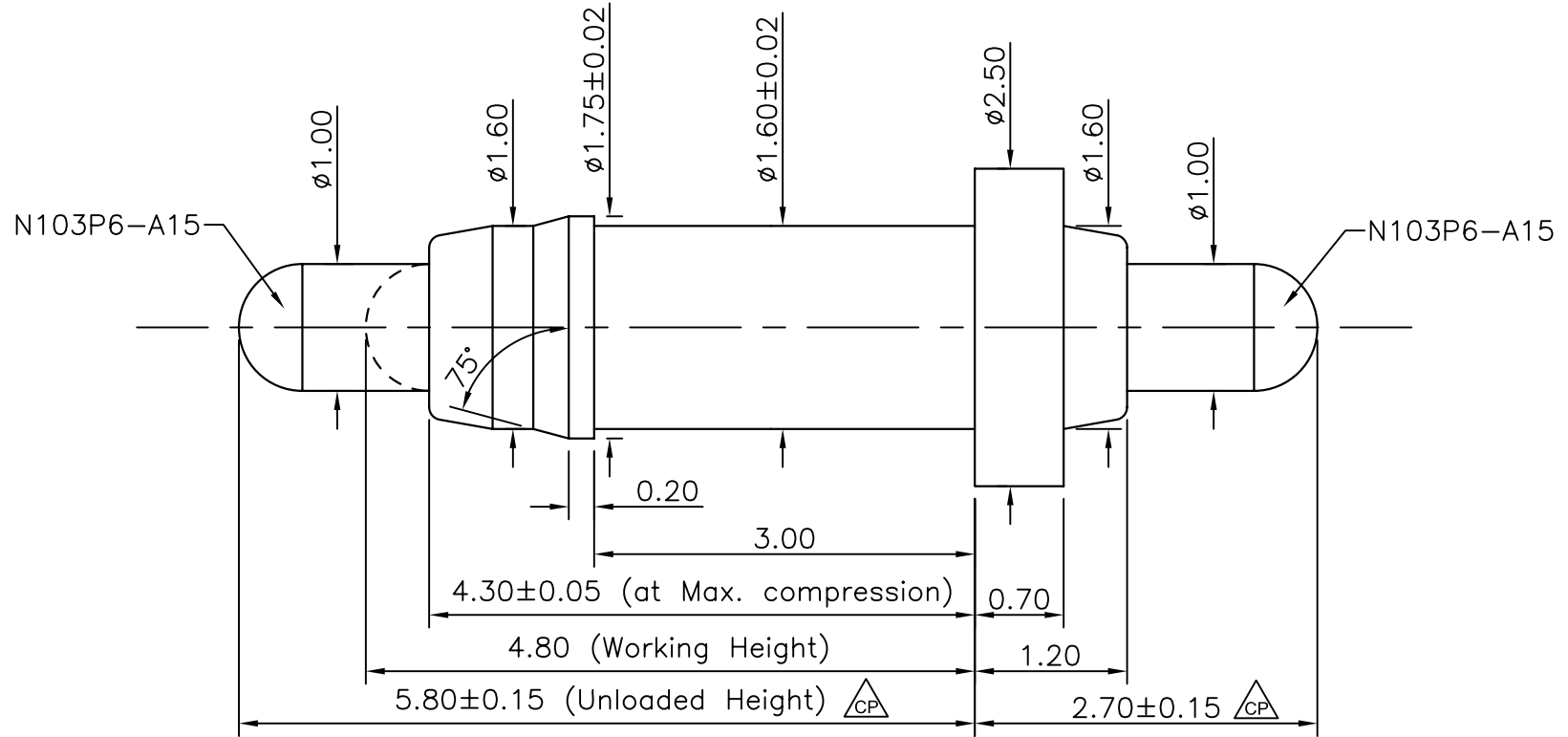


REVISIONS				
LTR	DESCRIPTION	DATE	APPROVED	NOTE
	INITIAL RELEASE	2006/09/05		ECN-06090502
△	H025R0-A15 to H025R0-A15 or H025R1-A15.	2006/09/20		ECN-06092002
△				
△				



- Material
 - .Plunger : Brass 3604 N103P6-A15
 - .Barrel : Brass 3604 H025R0-A15 or H025R1-A15
 - .Spring : SUS304 H025S0
- Plating
 - .Contact Surface : 10 μ" minimum Au Over 50~100 μ" minimum Ni
- Electrical
 - .Rated Current & Voltage : DC 12 V ; 1 A
 - .Contact Resistance : 50 mΩ maximum at Working Height(Movement)
- Mechanical
 - .Unloaded Height : 5.80 mm
 - .Working Height : 4.80 mm
 - .Spring Force : 120 g±20% at Working Height 1.0mm
- Dimensions marked △ is critical dimensions, and CPK>=1.33 should be assured when production.

DRAWN		SCALE: 12.5/1	N&H Technology GmbH	
CHECKED		SHEET: 1 OF 1		
APPROVED		DATE: 06/09/20	TITLE: Pogo Pin	
DIMENSIONS ARE IN MILLIMETERS TOLERANCES ARE: X ± .10 ANGLES ± 2.0° X.X ± .05 ± 1.0° X.XX ± .02 ± 0.5°			SVPC-D-H025M0	
UNIT : mm			SIZE A4	DRAWING NO. H025M0
FILE PATH:				REV. A.1