

4

3

2

1

REVISIONS

NO.	DESCRIPTION	DCN NO.	DATE
	INITIAL RELEASE	220131202	2013.12.04

NOTE:

1.Material

Housing: Black LCP 30%GF (UL94V-0)
 Plunger: Brass 3604
 Barrel: Brass 3601
 Ball: SUS304
 Spring: SUS304
 Location: SPCC

2.Plating

Plunger and Barrel: 3 micro inch minimum Pd over 6~12 micro inch PdNi over 30~80 micro inch Ni.

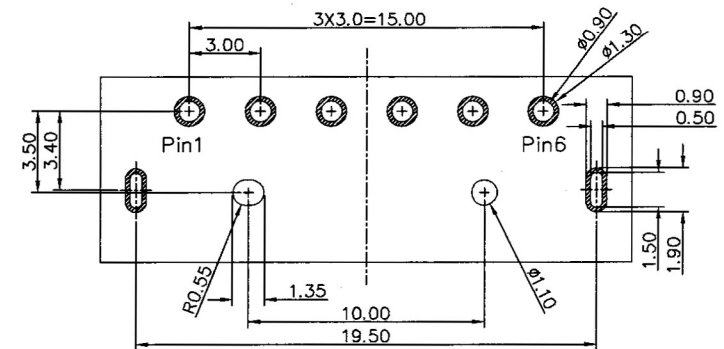
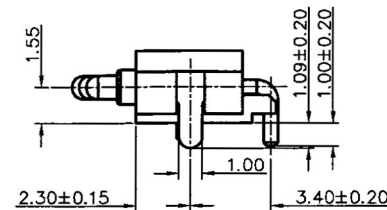
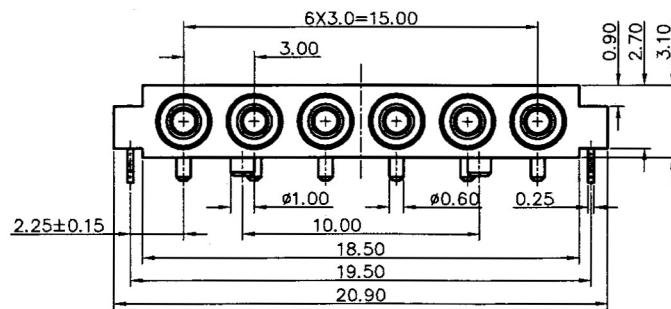
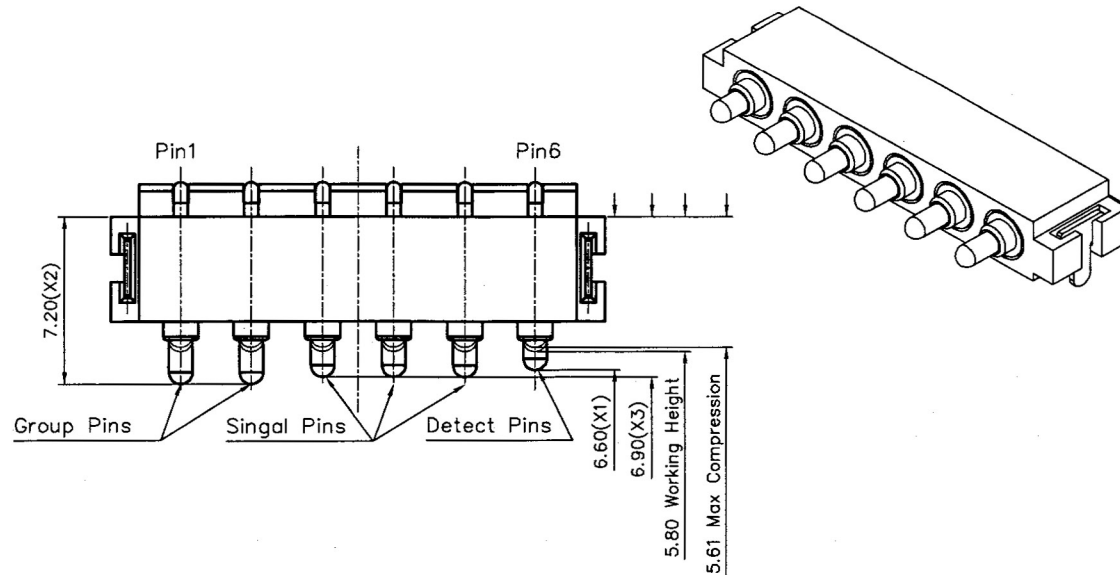
3.Electrical

Rated current & voltage:
 Detect Pins: DC12V; 1A MAX
 Other PIN: DC12V; 5A MAX
 Contact resistance: 100 mohm maximum at working height (quiescence)

4.Mechanical

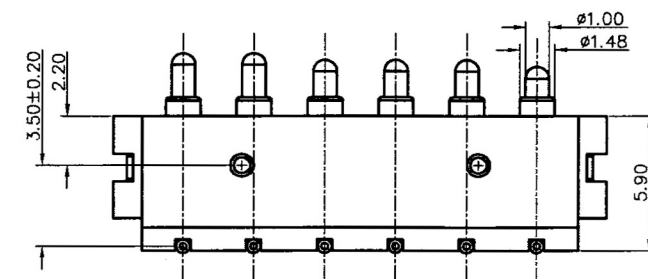
Spring force: 120g±20% at normal working height
 Durability: 10,000 cycles (minimum)

5.To ensure the best usage, please operate it based on the working height
 Based on the engineering drawings, shall not exceed the maximum allowed compression
 6.RoHS&HF compliant product.



RECOMMEND PCB LAYOUT

Layout Tolerance: ± 0.05mm



SCALE	1 : 1	UNIT	mm	DRAWING NO.	P1989AA1-6HLR
SHEET	1 of 1	PROJECT		TITLE	6PIN POGO PIN
DATE	2013.12.04	VER.	A.0		

THE UNMARKED TOLERANCE ARE AS BELOW :

LENGTH		ANGLE	
0~6.0	±0.05mm	0.	±2.0°
>6~30	±0.10mm	0.0	±1.0°
>30~120	±0.15mm	0.00	±0.50°

N&H Technology GmbH

SVPC-B-P1989AA1-6HLR

4

3

2

1