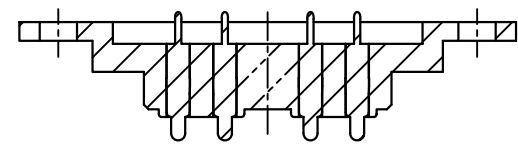


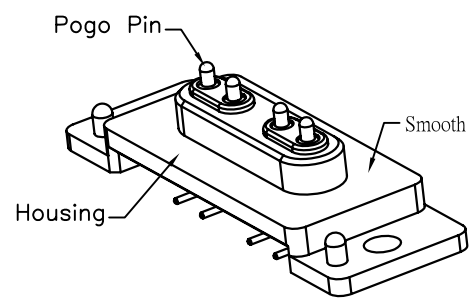
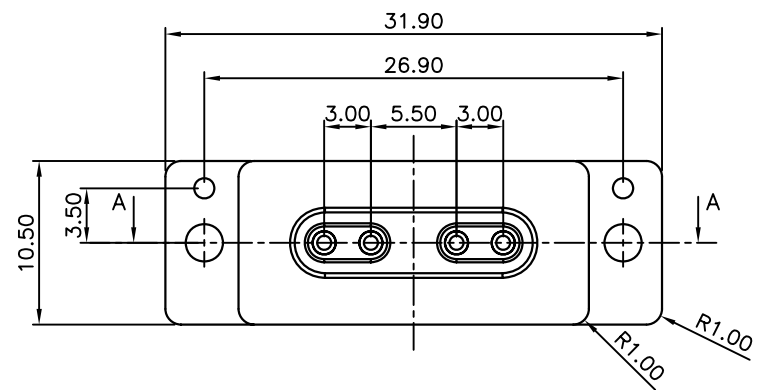
PART No. SVPC-B-N153M1-04DHR

REVISIONS

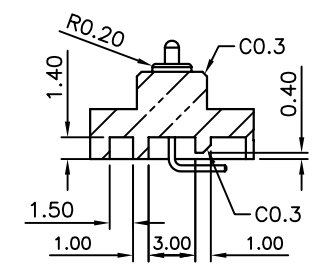
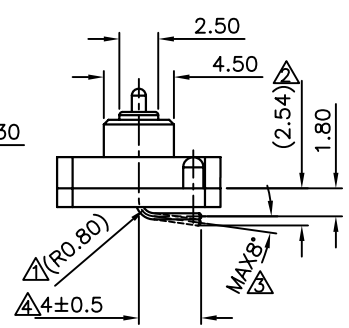
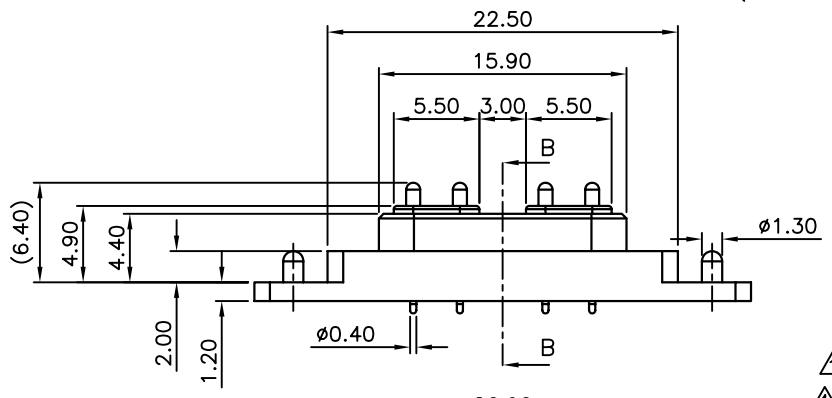
LTR	DESCRIPTION	DATE	APPROVED	NOTE
	INITIAL RELEASE	11/16/05		ECN-9411037
△	Modify R0.50 to R0.80	03/16/06		ECN-9503027
△	ADD (2.54)	03/16/06		ECN-9503027
△	ADD Angles MXA 8°	03/16/06		ECN-9503027
△	Modify 3.50 to 4±0.50	03/16/06		ECN-9503027



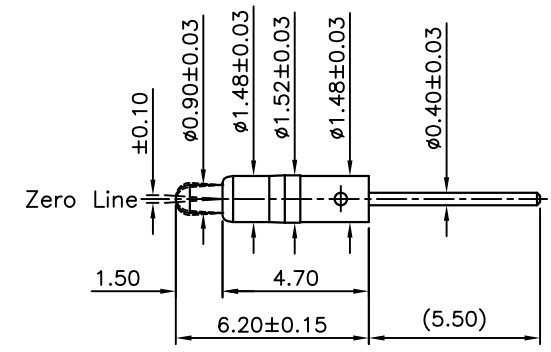
SECTION A-A



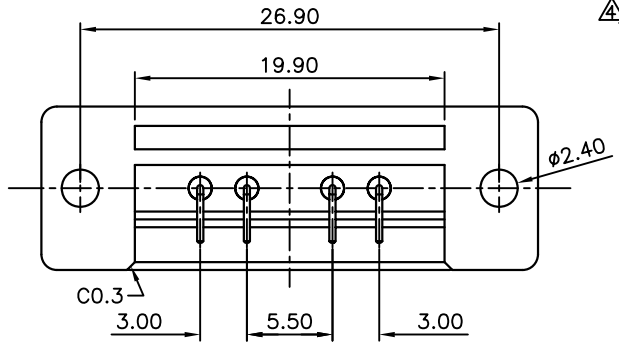
- Note :**
- Material**
 - .Housing : PBT (G15%)
 - .Plunger : Brass
 - .Barrel : Brass (Annealing: 300°C / 30~40min)
 - .Spring : SUS304
 - Plating**
 - .Contact Surface : 40 μm minimum Au Over 50~100 μm Ni
 - Electrical**
 - .Rated Current & Voltage : DC 12 V ; 1 A
 - .Contact Resistance : 50 mΩ maximum at 1.00 mm Stroke
 - Mechanical**
 - .Full Stroke : 1.50 mm
 - .Spring Force : 110 g±20% at 1.00 mm Stroke
 - .Durability : 10,000 Cycles(minimum)



SECTION B-B



Pogo Pin SCALE 4:1



DRAWN	SCALE: 2 : 1
CHECKED	SHEET: 1 OF 1
APPROVED	DATE: 03/16/06
DIMENSIONS ARE IN MILLIMETERS TOLERANCES ARE: DECIMALS X ± .25 ANGLES ± 2.0° X.X ± .15 ± 1.0° X.XX ± .10 ± 0.5°	
UNIT : mm	Pitch 3.0x5.5mm
FILE PATH:	

N&H Technology GmbH

TITLE: **SVPC-B-N153M1-04DHR**

4-Pos Pogo Pin Connector

SIZE: A4	DRAWING NO. N153M1-04DHR	REV. A1
----------	--------------------------	---------