

4

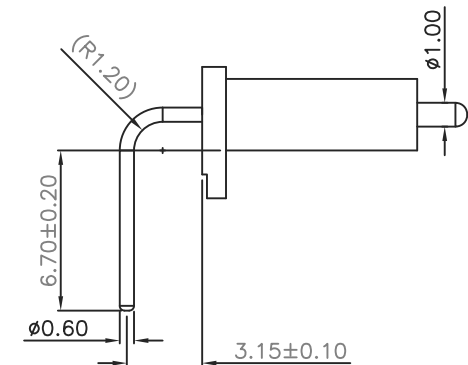
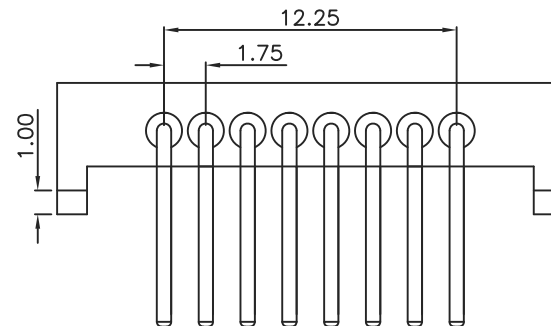
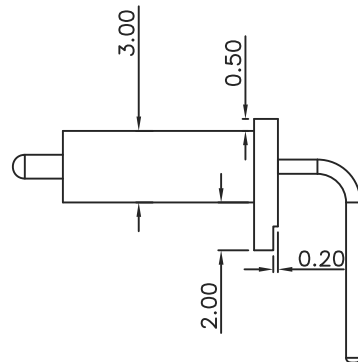
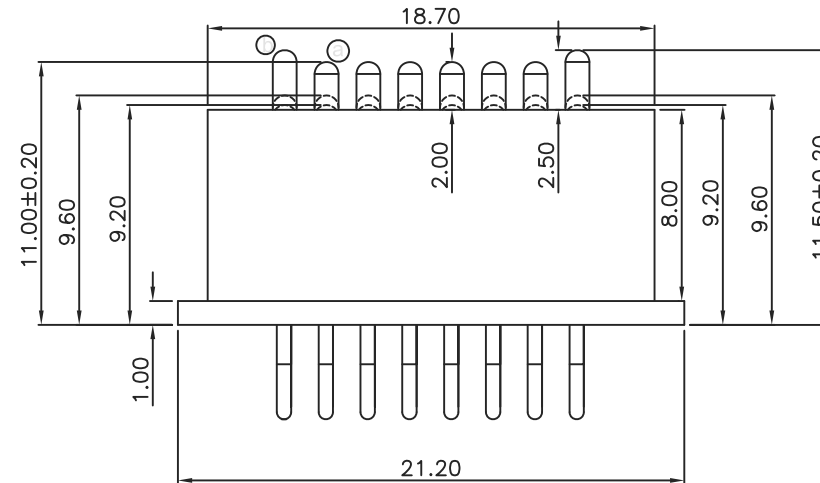
3

2

1

REVISIONS

No.	DESCRIPTION	ECN No.	DATE
	INITIAL RELEASE		04/15/2010'



Notes:

1. Materials

Housing :Black PBT+GF30%(UL94V-0)

Plunger: Brass 3604

Barrel: Brass 3604

Spring: SUS304 Not Plated

2. Plating

Contact Surface: 10 Micro inch Min Au over 50~100 Micro inch Ni

3. Electrical

Rated current & voltage: DC 12V ; 1A

Contact resistance: 40 mohms Max. at working height(Quiescence)

4. Mechanical

4.1 ① Unloaded height:11.00mm

Working height: 9.60mm

4.2 ② Unloaded height:11.50mm

Working height: 9.60mm

4.3 Spring force: (35-55)±20%g at working height

Durability:12000 cycles(min.)

5. To ensure the best usage, please operate it based on the working height, Maximum allowed compression shall not be exceed based on the engineering drawings.

6. RoHS compliant product.

DRAWN		SCALE:	20:1	UNIT	mm	DRAWING NO.	H180M0-H08ART
CHECKED		SHEET:	10F1	PROJECT		TITLE.	Pogo Pin Connector
APPROVED		DATE:	04/15/10'	VER.	A.1		
THE UNMARKED TOLERANCE ARE AS BELOW :				N&H Technology GmbH SVPC-B-H180M0-H08ART			
LENGTH		ANGLE					
0~6.0	±0.05mm	0.	±2.0°				
>6~30	±0.10 mm	0.0	±1.0°				
>30~120	±0.15mm	0.00	±0.50°				

4

3

2

1

D

C

B

B

A

D

C

B

B

A