

S2GQ - Series

Mounting Hole: Ø16

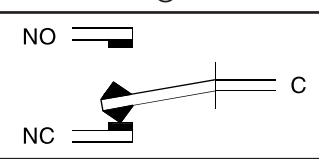
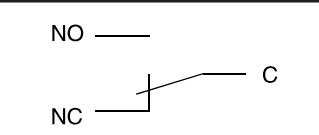
Order-Code:

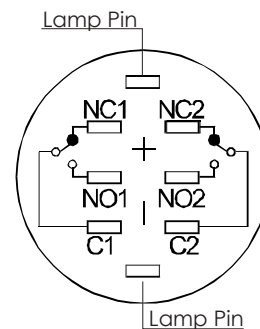
DIOH-S2GQ16 ★ - □ / ◇ / ■ / △ / ▲ / ◎ / ★

★	□	◇	■	△	▲	◎	★
Tastenform Front Shape	Kontaktkonfiguration Contact configuration	Lichttyp Lamp Type	Funktion Operating Type	Farbe LED Color LED	Betriebsspannung LED Lamp Voltage (VDC / AC)	Material	Farbe des Tasters Color of Push button's head or case
F: Flach rund H: Erhöht rund C: Konkav G: Erhöht konkav F: Flat round H: High round C: Concave G: High concave	11: 1NO 1NC 22: 2NO 2NC	D: Punkt E: Ring D: dot E: ring	Z: rastend ohne Buchstaben: tastend Z: Latching Push button No letter means: momentary push button	R: Rot / Red G: Grün / Green Y: Gelb / Yellow O: Orange B: Blau / Blue W: Weiß / White	6 12 24 36 110 220 andere auf Anfrage / other on request	N: Messing vernickelt S: Edelstahl A: Zn-Al Legierung N: Nickel-plated Brass S: Stainless Steel A: Zn-Al Alloy	R: Rot / Red G: Grün / Green Y: Gelb / Yellow O: Orange B: Blau / Blue W: Weiß / White N: Schwarz / Black

Schaltung

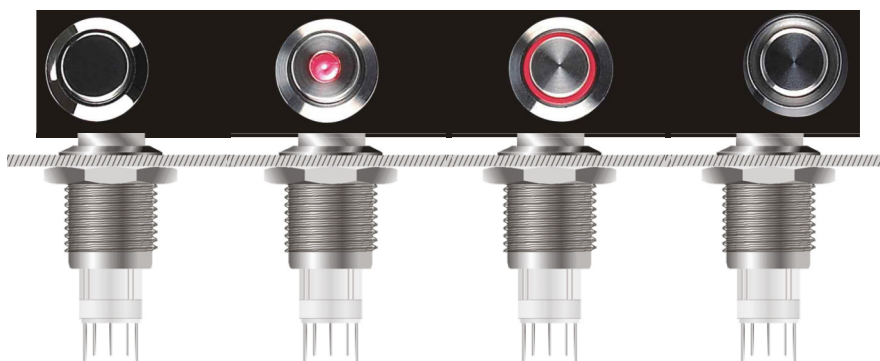
Pins

Type	C
Diagramm	
Symbol	
Beschreibung / Explanation	Single breakpoint snap-action contacts switch with three terminals



Can be configured up to two sets of switches: C1, NO1, NC1 and C2, NO2, NC2, are a set of switches respectively; Pin C is utility pin and Pin NO is normally open pin, Pin NC is normally closed. +, - Pins are LED lamp pins, normal lamp configuration has no difference between positive and negative. LED and Switch Pin are separated, but switch and external circuit can control the LED state by connecting the LED Pin.

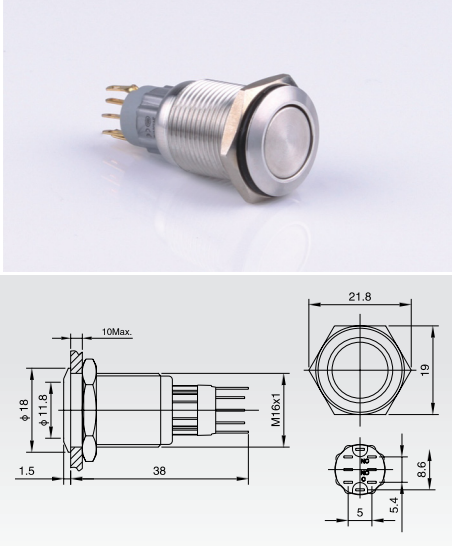
Einbau / Installation



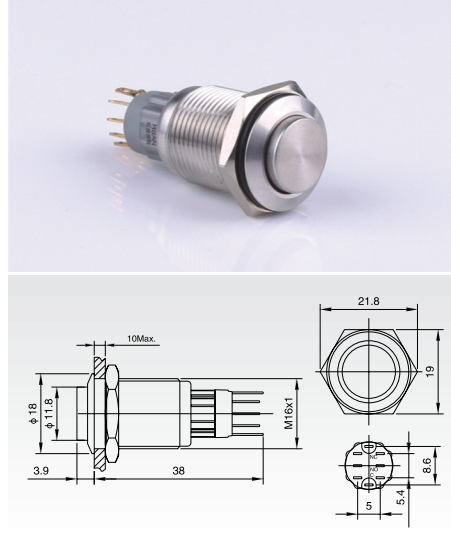
Metal Push Button

S2GQ16 - Non-illuminated

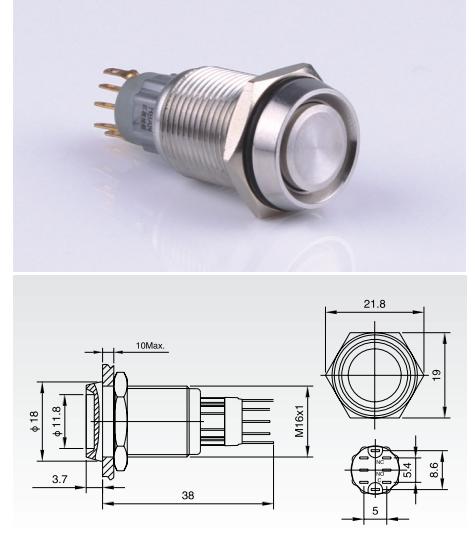
DIOH-S2GQ16F -   / 
Flat Round



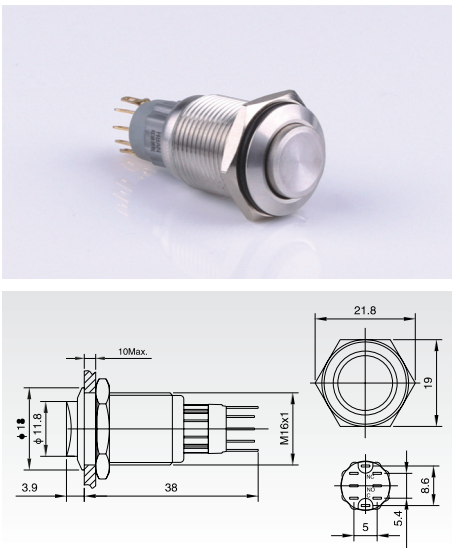
DIOH-S2GQ16H -   / 
High Round















DIOH-S2GQ16C -   / 
Concave Round



DIOH-S2GQ16G -   / 
High-concave round

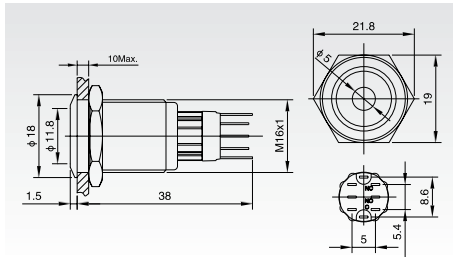


		F -   / 	H -   / 
		C -   / 	G -   / 
DIOH-S2GQ16		Pin Terminal (2.8 x 0.4mm)	
Terminal Type		Pin Terminal (2.8 x 0.4mm)	
Switch Type		C: Single breakpoint snap action changeover contacts	
Switch Specifications		Ith: 3A / Ui: 250V AC	
Contact Resistance (mΩ)		≤ 50	
Insulation Resistance (MΩ)		≥ 1000	
Dielectric Strength (VAC)		2000	
Operating Temperature		-20°C ~ +55°C	
Mechanical Life (times)		> 200.000	
Electrical Life (times)		> 50.000	
Panel Thickness (mm)		1 ~ 10	
Tonque (Nm)		5 ~ 14	
Operating Pressure (N)		2.5 ~ 4	
Operating Stroke (mm)		about 2.8	
Protection Degree		IP40 / IP67, IK09	
Material	Contact	Silver Alloy	
	Button	Stainless Steel (Mirror / Spiral Pattern)	
	Case	Stainless Steel (Mirror / Spiral Pattern) Nickel Plated Brass	
	Base	PBT	

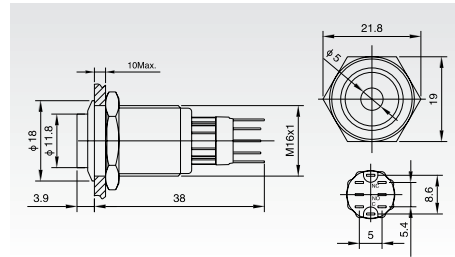
Metal Push Button

S2GQ16 - Dot-illuminated

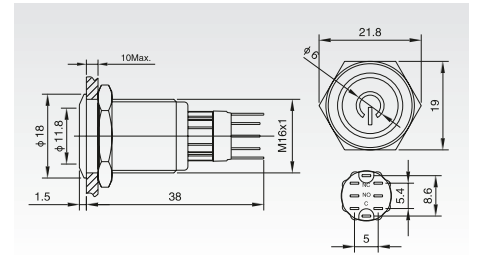
DIOH-S2GQ16 F - □D■/ △ /▲/◎
Flat Round



DIOH-S2GQ16H - □D■/ △ /▲/◎
High Round



DIOH-S2GQ16F - □■/◎/ T
Flat Round Power Symbol

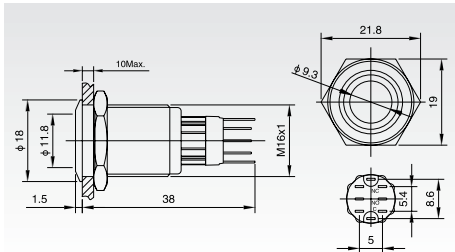


DIOH-S2GQ16		F - □D■/ △ /▲/◎ H - □D■/ △ /▲/◎ F - □■/◎/ T
Terminal Type	Pin Terminal (2.8 x 0.4mm)	
Switch Type	C: Single breakpoint snap action changeover contacts	
Switch Specifications	Ith: 3A / Ui: 250V AC	
Contact Resistance (mΩ)	≤ 50	
Insulation Resistance (MΩ)	≥ 1000	
Dielectric Strength (VAC)	2000	
Operating Temperature	-20°C ~ +55°C	
Mechanical Life (times)	> 200.000	
Electrical Life (times)	> 50.000	
Panel Thickness (mm)	1 ~ 10	
Tonque (Nm)	5 ~ 14	
Operating Pressure (N)	2.5 ~ 4	
Operating Stroke (mm)	about 2.8	
Protection Degree	IP40 / IP67, IK09	
Material	Contact	Silver Alloy
	Button	Stainless Steel (Mirror / Spiral Pattern)
	Case	Stainless Steel (Mirror / Spiral Pattern) / Nickel Plated Brass
	Base	PBT
Lamp Parameters	Type	Dot-illuminated LED
	Rated Voltage (V)	2 / 6 / 12 / 24 / 110 / 220
	Color	R G Y O B W
	Life	50.000

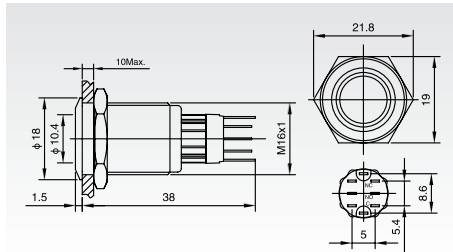
Metal Push Button

S2GQ16 - Ring-illuminated

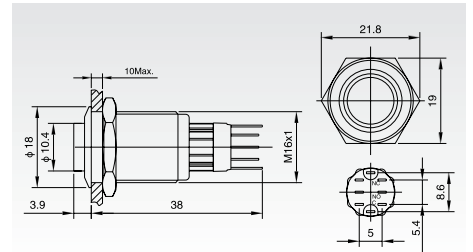
DIOH-S2GQ16F - EB■/ Δ /▲/◎
Flat Round - Big LED Ring



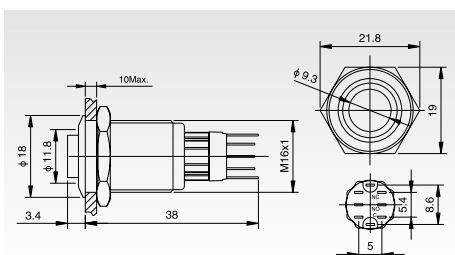
DIOH-S2GQ16F - ES■/ Δ /▲/◎
Flat Round - Small LED Ring



DIOH-S2GQ16H - ES■/ Δ /▲/◎
High Round - Small LED Ring



DIOH-S2GQ16H - EB■/ Δ /▲/◎
High Round - Big LED Ring



DIOH-S2GQ16		F - <input type="checkbox"/> ES■/ Δ /▲/◎	H - <input type="checkbox"/> ES■/ Δ /▲/◎
		F - <input type="checkbox"/> EB■/ Δ /▲/◎	H - <input type="checkbox"/> EB■/ Δ /▲/◎
Terminal Type	Pin Terminal (2.8 x 0.4mm)		
Switch Type	C: Single breakpoint snap action changeover contacts		
Switch Specifications	Ith: 3A / Ui: 250V AC		
Contact Resistance (mΩ)	≤ 50		
Insulation Resistance (MΩ)	≥ 1000		
Dielectric Strength (VAC)	2000		
Operating Temperature	-20°C ~ +55°C		
Mechanical Life (times)	> 200.000		
Electrical Life (times)	> 50.000		
Panel Thickness (mm)	1 ~ 10		
Tonque (Nm)	5 ~ 14		
Operating Pressure (N)	2.5 ~ 4		
Operating Stroke (mm)	about 2.8		
Protection Degree	IP40 / IP67, IK09		
Material	Contact	Silver Alloy	
	Button	Stainless Steel (Mirror / Spiral Pattern)	
	Case	Stainless Steel (Mirror / Spiral Pattern) / Nickel Plated Brass	
	Base	PBT	
Lamp Parameters	Type	Ring-illuminated LED	
	Rated Voltage (V)	2 / 6 / 12 / 24 / 110 / 220	
	Color	R G Y O B W	
	Life	50.000	