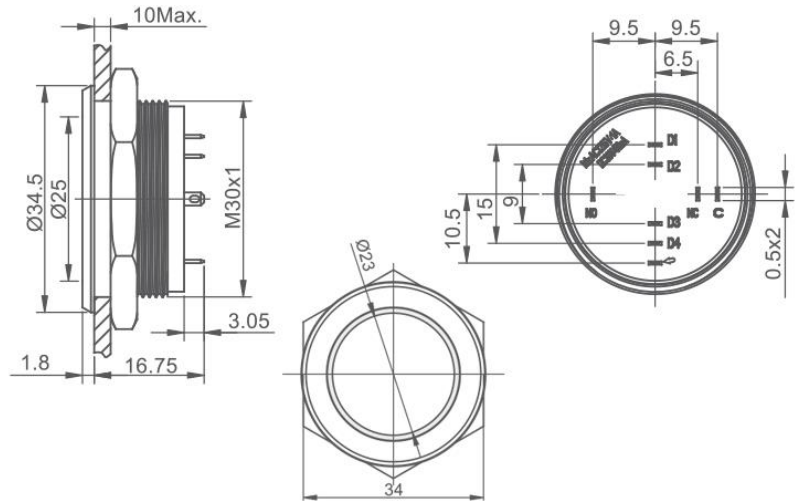


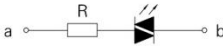
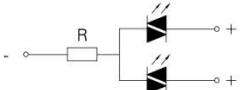
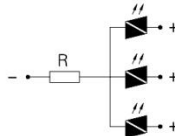
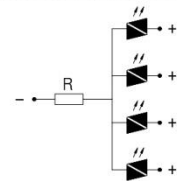
## DIOH-GQ30P-11WE-J



|              |                                |   |
|--------------|--------------------------------|---|
| <b>Serie</b> | <b>GQ30</b>                    | 30mm Mikrotravel Drucktaster (IP67) mit flacher Einbautiefe und LED Ring Beleuchtung. Monochrome-, Dual-, und Triple / Four- LED Color möglich. |
| <b>Typ</b>   | <b>Mikrotravel Drucktaster</b> |   |

|                              |   |                                |                                       |
|------------------------------|---|--------------------------------|---------------------------------------|
| <b>Einbaudurchmesser</b>     | 30  | <b>Material Gehäuse*</b>       | Messing eloxiert (farbig) / Edelstahl |
| <b>Form der Tastenhaube</b>  | Flach 0°  | <b>Material Basis</b>          | PBT                                   |
| <b>Anschluss</b>             | Pin   | <b>IP / IK</b>                 | 67 / 08                               |
| <b>Anschlusspezifikation</b> |   | <b>Plattendicke</b>            | 1 - 5 mm                              |
| <b>Operation Typ</b>         | Momentary                                       | <b>Betriebstemperatur</b>      | -40°C - +80°C                         |
| <b>Switch Type</b>           | X: Two Terminal breakpoints slow moving contact | <b>Mechanische Lebensdauer</b> | >1.000.000 times                      |
| <b>Kontaktkonfiguration</b>  | 1NO1NC  | <b>Elektrische Lebensdauer</b> | >50.000 times                         |
| <b>Kontaktstrom</b>          | 1A / 125V                                       | <b>Torque</b>                  | 5 - 14 Nm                             |
| <b>Isolationswiderstand</b>  | ≤ 50 mΩ   | <b>Betätigungskraft</b>        | 3-5 N                                 |
| <b>Dielektrische Stärke</b>  | ≥ 100 MΩ  | <b>Arbeitshub</b>              | 0.5 mm                                |

|                        |                                  |
|------------------------|----------------------------------|
| <b>LED Type</b>        | Ring LED                         |
| <b>LED Farben</b>      | Rot, Grün, Blau, Gelb, Weiß      |
| <b>LED Spannung</b>    | 1.8 / 2.8 / 6 / 12 / 24 / 36 (V) |
| <b>LED Lebensdauer</b> | 50.000 h                         |
| <b>Nennstrom</b>       | ~20mA                            |

|                     |   |   |
|---------------------|---|---|
| <b>Lamp Circuit</b> | <p>Monochrome light</p>  <p>AC-DC Universal LED lamp, terminal differentiate between positive and negative; lamp beads built-in protection resistors, no external.</p>             | <p>Bi-color light</p>  <p>Highlight bi-color led could be combined from R G B Y W , other led must be made to order. Basicly, common anode and common cathode could be chosen</p>     |
|                     | <p>Tri-color light</p>  <p>Highlight Tri-color led could be combined from R G B Y W ,other led must be made to order. Basicly, common anode and common cathode could be chosen</p> | <p>Four-color light</p>  <p>Highlight Four-color led could be combined from R G B Y W , other led must be made to order. Basicly, common anode and common cathode could be chosen</p> |

|                     |  |
|---------------------|--|
| <b>Pin Belegung</b> |  <p>Arrow indication is LED -<br/>         1 is Red led,<br/>         2 is Green led,<br/>         3 is Blue led,<br/>         4 is white led( 4 LED + )<br/>         5. Other two pins is switch pin</p> |
|---------------------|--|

**DIOH-GQ30P-11WE-Y (mit Kabelanschluss)**

