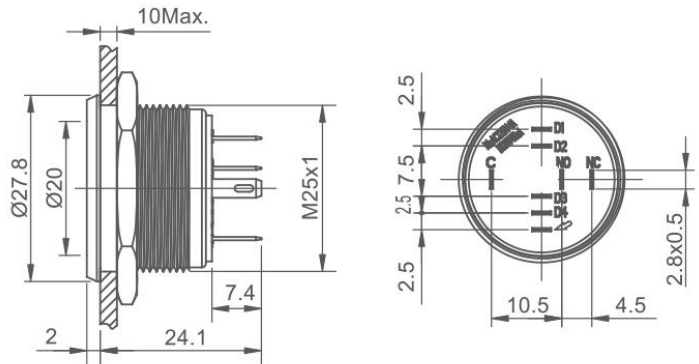



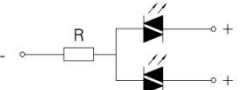
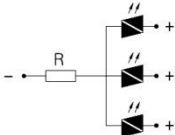
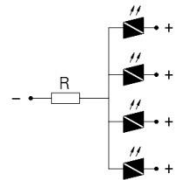
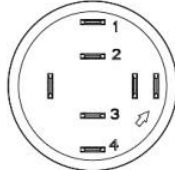
DIOH-GQ25P-11WE-J



Serie	GQ25	25mm Mikrotravel Drucktaster mit kleiner Einbautiefe, flachser Druckhaube und LED Ring Beleuchtung. Monochrome-, Dual-, und Triple / Four- LED Color möglich.
Typ	Mikrotravel Drucktaster	

Einbaudurchmesser	25	Material Gehäuse*	Messing eloxiert (farbig) / Edelstahl
Form der Tastenhaube	Flach 0°	Material Basis	PBT
Anschluss	Pin	IP / IK	67 / 08
Anschlusspezifikation		Plattendicke	1 - 5 mm
Operation Typ	Momentary	Betriebstemperatur	-40°C - +80°C
Switch Type	X: Two Terminal breakpoints slow moving contact	Mechanische Lebensdauer	>1.000.000 times
Kontaktkonfiguration	1NO1NC	Elektrische Lebensdauer	>50.000 times
Kontaktstrom	1A / 125V	Torque	5 - 14 Nm
Isolationswiderstand	≤ 50 mΩ	Betätigungskraft	3-5 N
Dielektrische Stärke	≥ 100 MΩ	Arbeitshub	0.5 mm

LED Type	Ring LED
LED Farben	Rot, Grün, Blau, Gelb, Weiß
LED Spannung	1.8 / 2.8 / 6 / 12 / 24 / 36 (V)
LED Lebensdauer	50.000 h
Nennstrom	~20mA

Lamp Circuit	Monochrome light	Bi-color light
		
	<p>AC-DC Universal LED lamp, terminal differentiate between positive and negative; lamp beads built-in protection resistors, no external.</p>	<p>Highlight bi-color led could be combined from R G B Y W , other led must be made to order. Basicly, common anode and common cathode could be chosen</p>
	Tri-color light	Four-color light
		
	<p>Highlight Tri-color led could be combined from R G B Y W , other led must be made to order. Basicly, common anode and common cathode could be chosen</p>	<p>Highlight Four-color led could be combined from R G B Y W , other led must be made to order. Basicly, common anode and common cathode could be chosen</p>
Pin Belegung	 <p>Arrow indication is LED - 1 is Red led, 2 is Green led, 3 is Blue led, 4 is white led(4 LED +) 5. Other two pins is switch pin</p>	

DIOH-GQ25P-11WE-Y (mit Kabelanschluss)

