

Metal Push Button

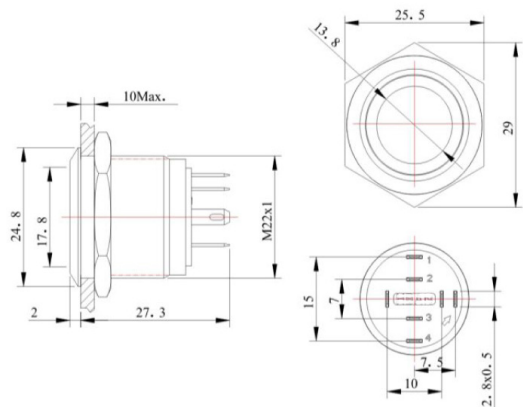
DIOH GQ22-10WE

Mounting Hole: Ø22
 Anti-vandal & waterproof
 1-4 LED Status Lighting Effects
 LED lamp can show up to 4 various colors at the same time

Order-Code:

DIOH-GQ22 10WE / ΔΔΔΔ / ▲

△	▲
Color LED	Lamp Voltage (AC/DC)
R G Y O B W	6V, 12V, 24V 6V ~ 24V other on request
Front Shape	flat round
Contact configuration	10: 1NO
Lamp Type	Ring
Crust Material	Stainless Steel
Specifications	
Operating Temperature	-20°C ~ +55°C (no freezing)
Operating Humidity	45 ~ 85% RH
Contact Resistance	≤ 50mΩ
Insulation Resistance	≤ 10MΩ
Switch Specifications	Ith: 50mA, Ui: 12VDC
Mechanical Life	100.000 cycles
Withstand Voltage	250 VAC / min
Electrical Life	50.000 cycles
Operation Pressure	~ 2.5N
Operation Travel	~ 0.5mm
Torque	5 ~ 14Nm
IP degree	IP65, K09
Lamp Rating	
Lamp Type	LED lamp (AC/DC)
Life	50.000 hours



the direction of the arrow is the LED common pin
 1,2,3,4 are LED positive poles
 other 2 pins are push button

