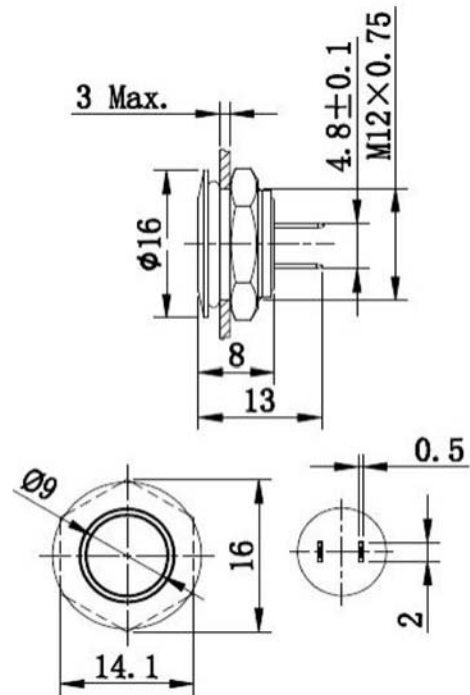


GQ12- not-illuminated

**DIOH-GQ12SF-10JS**



DIOH-GQ12SF-10JS		
Terminal Type	Pin Terminal (2.0 x 0.5mm)	
Font Shape	Flat head	
Contact Configuration	1NO	
Switch Rating	50mA (max. 100mA) / 12VDC	
Contact Resistance (mΩ)	≤ 50	
Insulation Resistance (MΩ)	≥ 1000	
Dielectric Strength (VAC)	2000	
Operating Temperature	-20°C ~ +55°C	
Mechanical Life (times)	> 100.000	
Electrical Life (times)	> 20.000	
Panel Thickness (mm)	1 ~ 3	
Tonque (Nm)	5 ~ 14	
Operating Pressure (N)	~ 1.5-2.5	
Operating Stroke (mm)	~ 2	
Protection Degree	IP65, IK09	
Material	Button	Stainless Steel
	Case	Stainless Steel
	Base	PBT