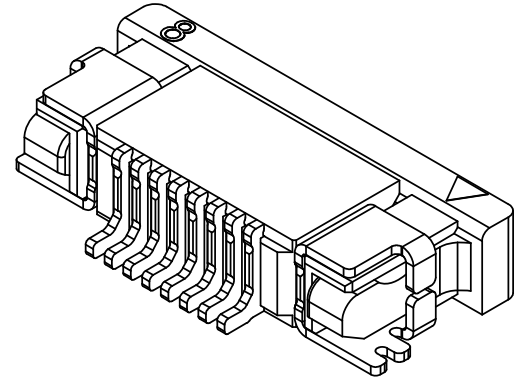


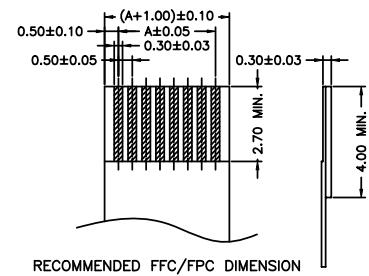
SVHJ-F0503 Series

0.50mm Pitch FFC / FPC Connector
 90° SMT Type, ZIF
Bottom Contact Style



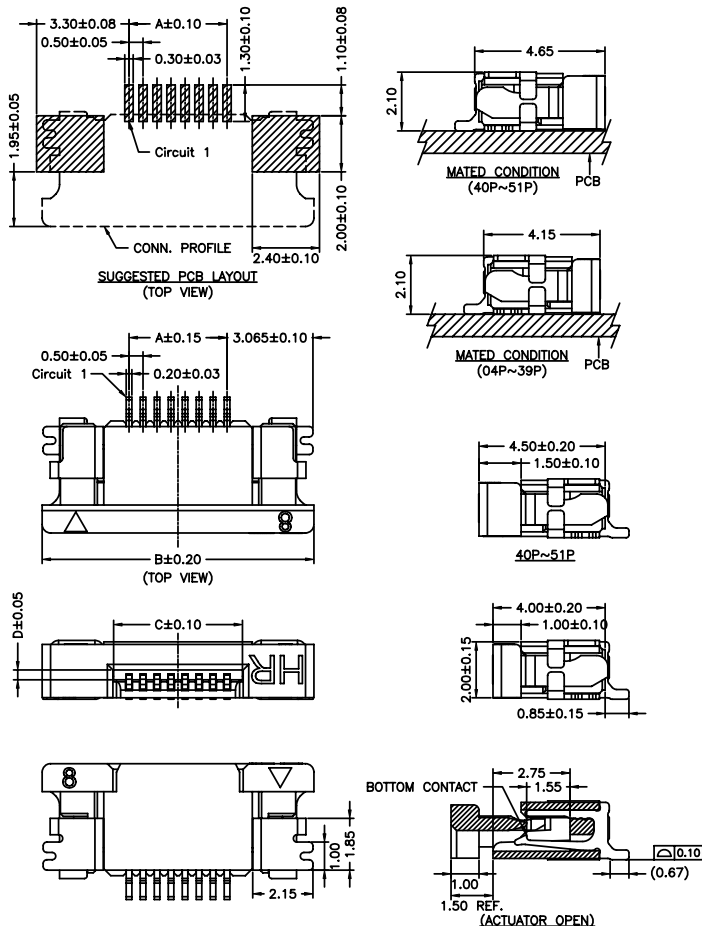
Specification

Current Rating	0.5A AC,DC
Voltage Rating	50V AC,DC
Contact Resistance	30mΩ Max.
Insulation Resistance	100MΩ Min.
Withstanding Voltage	250V AC/min.
Temperature Range	-40°C ~ +105°C
Contacts	Phospor Bronze (standard) or Matte Tin-plated (T1) / Gold flash (G1)
Solder Tabs	Brass (standard) or Matte Tin-plated (T) / Gold flash (G)
Housing	LCP, UL94V-0 - Natural (Beige)
Actuator	Nylon 6T, UL94V-0, Natural (Black)

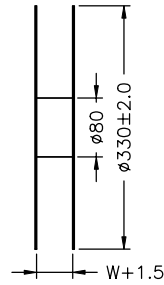
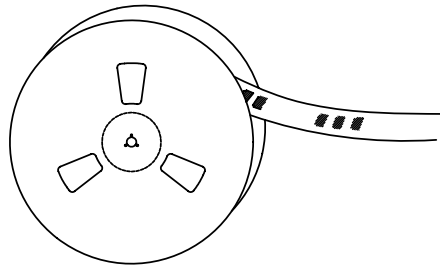


Order Code: SVHJ-F0503WRS-xxPB-y-z

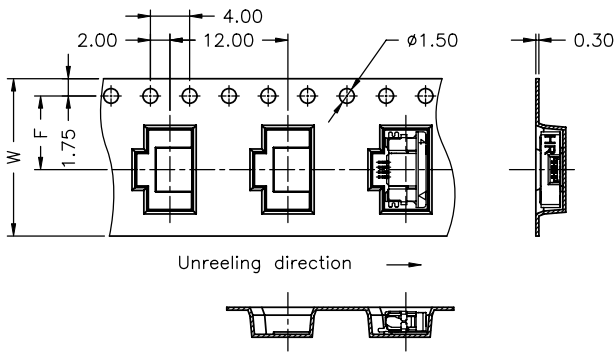
- xx :** Circuit No.
- y :** Plating code for contacts:
 G1 (Gold-flash)
 T1 (Matte Tin-plated)
- z :** Plating code for solder tabs
 G (Gold-flash)
 T (Matte Tin-plated)



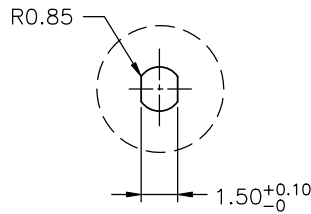
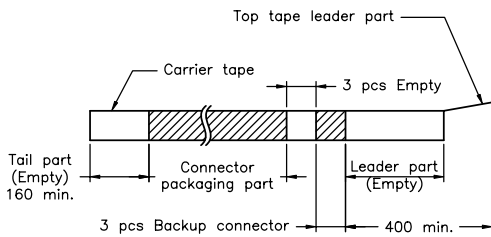
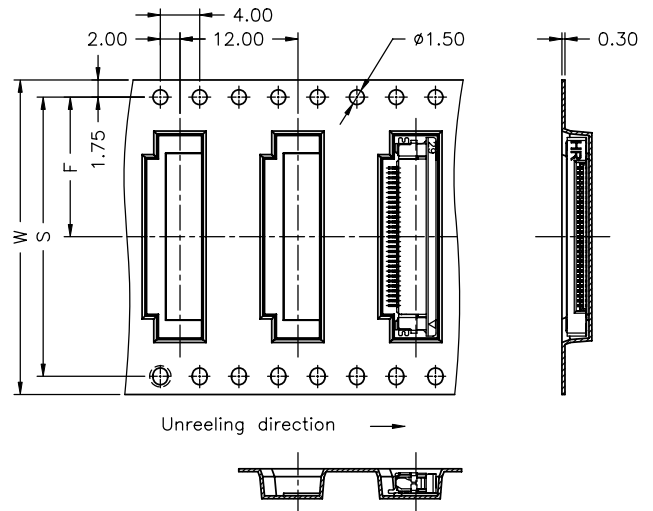
Circuit No.	Dimensions				Circuit No.	Dimensions			
	A	B	C	D		A	B	C	D
04P	1.50	7.70	2.60	0.300	25P	12.00	18.20	13.10	0.350
05P	2.00	8.20	3.10	0.300	26P	12.50	18.70	13.60	0.350
06P	2.50	8.70	3.60	0.300	27P	13.00	19.20	14.10	0.350
07P	3.00	9.20	4.10	0.350	28P	13.50	19.70	14.60	0.350
08P	3.50	9.70	4.60	0.350	29P	14.00	20.20	15.10	0.350
09P	4.00	10.20	5.10	0.350	30P	14.50	20.70	15.60	0.350
10P	4.50	10.70	5.60	0.350	31P	15.00	21.20	16.10	0.350
11P	5.00	11.20	6.10	0.350	32P	15.50	21.70	16.60	0.350
12P	5.50	11.70	6.60	0.350	33P	16.00	22.20	17.10	0.350
13P	6.00	12.20	7.10	0.350	34P	16.50	22.70	17.60	0.350
14P	6.50	12.70	7.60	0.350	35P	17.00	23.20	18.10	0.350
15P	7.00	13.20	8.10	0.350	36P	17.50	23.70	18.60	0.350
16P	7.50	13.70	8.60	0.350	37P	18.00	24.20	19.10	0.350
17P	8.00	14.20	9.10	0.350	38P	18.50	24.70	19.60	0.350
18P	8.50	14.70	9.60	0.350	39P	19.00	25.20	20.10	0.350
19P	9.00	15.20	10.10	0.350	40P	19.50	25.70	20.60	0.350
20P	9.50	15.70	10.60	0.350	45P	22.00	28.20	23.10	0.350
21P	10.00	16.20	11.10	0.350	49P	24.00	30.20	25.10	0.350
22P	10.50	16.70	11.60	0.350	50P	24.50	30.70	25.60	0.350
23P	11.00	17.20	12.10	0.350	51P	25.00	31.20	26.10	0.350
24P	11.50	17.70	12.60	0.350					



04~21 Contacts



22~51 Contacts



Number of Contacts	W±0.3	F±0.1	S±0.1	Q'ty/Reel	Number of Contacts	W±0.3	F±0.1	S±0.1	Q'ty/Reel
04P	16	7.50	28.40	1,500	25P	32	14.20	28.40	1,500
05P	16	7.50		1,500	26P	32	14.20	28.40	1,500
06P	24	11.50		1,500	27P	32	14.20	28.40	1,500
07P	24	11.50		1,500	28P	32	14.20	28.40	1,500
08P	24	11.50		1,500	29P	32	14.20	28.40	1,500
09P	24	11.50		1,500	30P	32	14.20	28.40	1,500
10P	24	11.50		1,500	31P	44	20.20	40.40	1,500
11P	24	11.50		1,500	32P	44	20.20	40.40	1,500
12P	24	11.50		1,500	33P	44	20.20	40.40	1,500
13P	24	11.50		1,500	34P	44	20.20	40.40	1,500
14P	24	11.50		1,500	35P	44	20.20	40.40	1,500
15P	24	11.50		1,500	36P	44	20.20	40.40	1,500
16P	24	11.50		1,500	37P	44	20.20	40.40	1,500
17P	24	11.50		1,500	38P	44	20.20	40.40	1,500
18P	24	11.50		1,500	39P	44	20.20	40.40	1,500
19P	24	11.50		1,500	40P	44	20.20	40.40	1,500
20P	24	11.50		1,500	45P	44	20.20	40.40	1,500
21P	24	11.50		1,500	49P	44	20.20	40.40	1,500
22P	32	14.20		1,500	50P	44	20.20	40.40	1,500
23P	32	14.20		1,500	51P	44	20.20	40.40	1,500
24P	32	14.20		1,500					