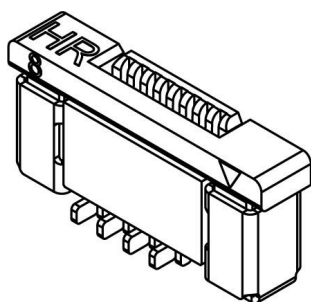
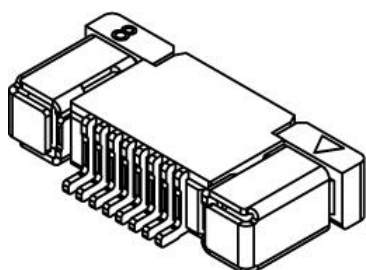


Specification

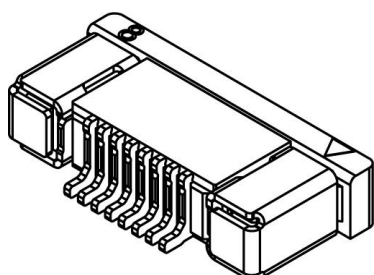
Current Rating	0.5A AC / DC
Voltage Rating	50V AC / DC
Temperature Range	-40°C ~ 105°C
Contact Resistance	30mΩ Max.
Insulation Resistance	100 MΩ
Withstanding Voltage	250V AC / minute
Contacts	Phosphor Bronze / Gold flash 1u"
Solder Tabs	Brass / Gold flash 1u"
Housing	Nylon 6T, UL94V-0, Natural (Beige)
Actuator	Nylon 6T, UL94V-0, Natural (Black)



Straight-Lead Connector
0.50 mm pitch FFC/FPC
ZIF, SMT Type
F0500 WVS-xxP



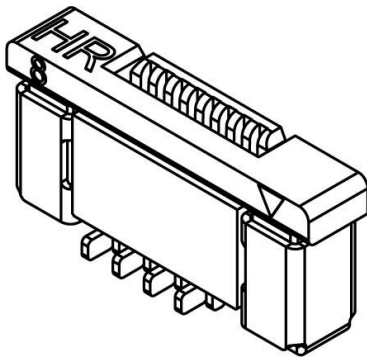
Right Angel Connector
Top Contact Style
0.50 mm pitch FFC/FPC
ZIF, SMT Type
F0500 WRS-xxP



Right Angel Connector
Bottom Contact Style
0.50 mm pitch FFC/FPC
ZIF, SMT Type
F0500 WRS-xxPB

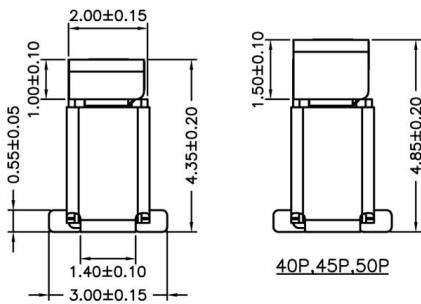
Straight-Lead Connector
 0.50 mm pitch FFC/FPC
 ZIF, SMT Type
F0500 WVS-xxP

Ordering Information & Dimensions

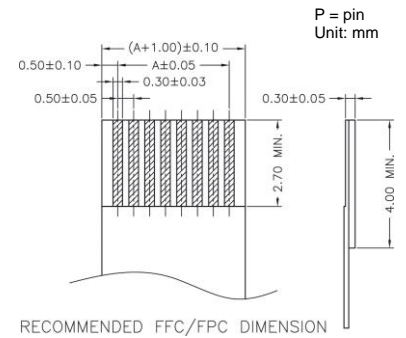


PART No.	Dimensions		
	A	B	C
SVHJ - F0500WVS - 4P	1.50	7.70	2.60
SVHJ - F0500WVS - 5P	2.00	8.20	3.10
SVHJ - F0500WVS - 6P	2.50	8.70	3.60
SVHJ - F0500WVS - 7P	3.00	9.20	4.10
SVHJ - F0500WVS - 8P	3.50	9.70	4.60
SVHJ - F0500WVS - 9P	4.00	10.20	5.10
SVHJ - F0500WVS - 10P	4.50	10.70	5.60
SVHJ - F0500WVS - 11P	5.00	11.20	6.10
SVHJ - F0500WVS - 12P	5.50	11.70	6.60
SVHJ - F0500WVS - 13P	6.00	12.20	7.10
SVHJ - F0500WVS - 14P	6.50	12.70	7.60
SVHJ - F0500WVS - 15P	7.00	13.20	8.10
SVHJ - F0500WVS - 16P	7.50	13.70	8.60
SVHJ - F0500WVS - 17P	8.00	14.20	9.10
SVHJ - F0500WVS - 18P	8.50	14.70	9.60
SVHJ - F0500WVS - 19P	9.00	15.20	10.10
SVHJ - F0500WVS - 20P	9.50	15.70	10.60
SVHJ - F0500WVS - 21P	10.00	16.20	11.10
SVHJ - F0500WVS - 22P	10.50	16.70	11.60
SVHJ - F0500WVS - 23P	11.00	17.20	12.10
SVHJ - F0500WVS - 24P	11.50	17.70	12.60

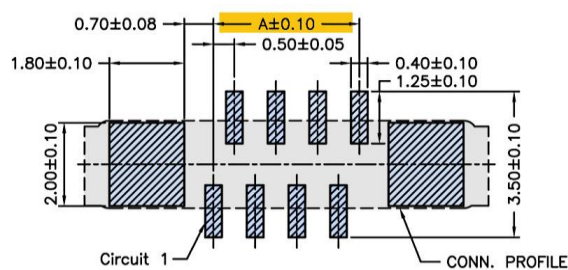
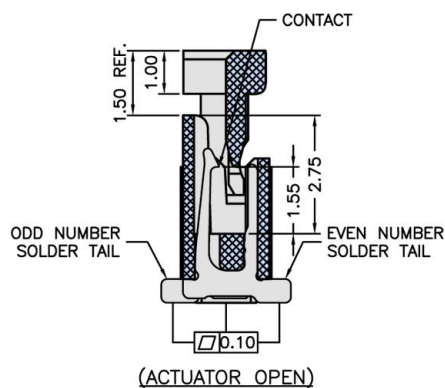
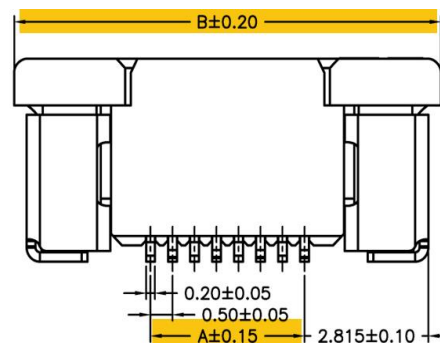
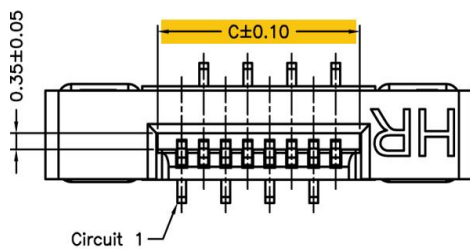
PART No.	Dimensions		
	A	B	C
SVHJ - F0500WVS - 25P	12.00	18.20	13.10
SVHJ - F0500WVS - 26P	12.50	18.70	13.60
SVHJ - F0500WVS - 27P	13.00	19.20	14.10
SVHJ - F0500WVS - 28P	13.50	19.70	14.60
SVHJ - F0500WVS - 29P	14.00	20.20	15.10
SVHJ - F0500WVS - 30P	14.50	20.70	15.60
SVHJ - F0500WVS - 31P	15.00	21.20	16.10
SVHJ - F0500WVS - 32P	15.50	21.70	16.60
SVHJ - F0500WVS - 33P	16.00	22.20	17.10
SVHJ - F0500WVS - 34P	16.50	22.70	17.60
SVHJ - F0500WVS - 35P	17.00	23.20	18.10
SVHJ - F0500WVS - 36P	17.50	23.70	18.60
SVHJ - F0500WVS - 37P	18.00	24.20	19.10
SVHJ - F0500WVS - 38P	18.50	24.70	19.60
SVHJ - F0500WVS - 39P	19.00	25.20	20.10
SVHJ - F0500WVS - 40P	19.50	25.70	20.60
SVHJ - F0500WVS - 45P	22.00	28.20	23.10
SVHJ - F0500WVS - 49P	24.00	30.20	25.60
SVHJ - F0500WVS - 50P	24.50	30.70	25.10
SVHJ - F0500WVS - 51P	25.00	31.20	26.10



40P, 45P, 50P

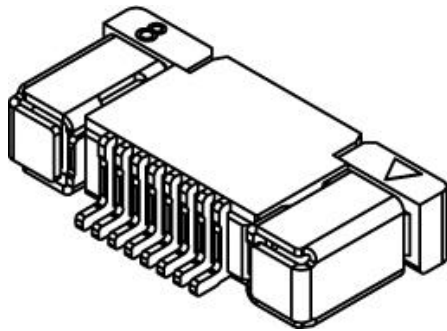


P = pin
Unit: mm



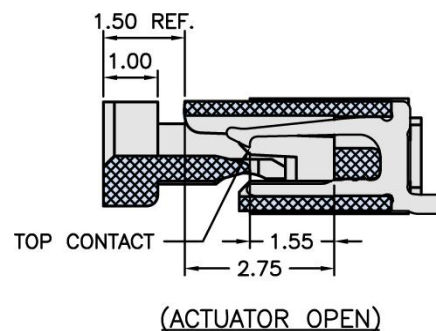
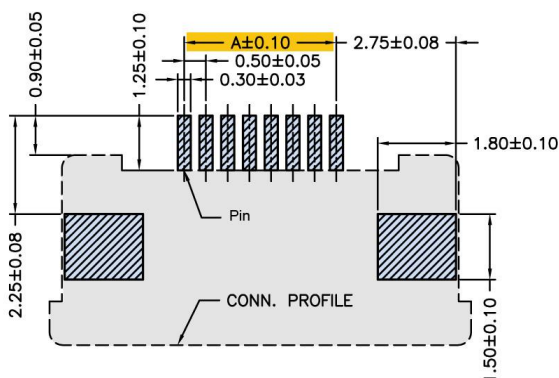
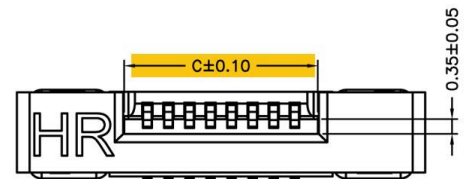
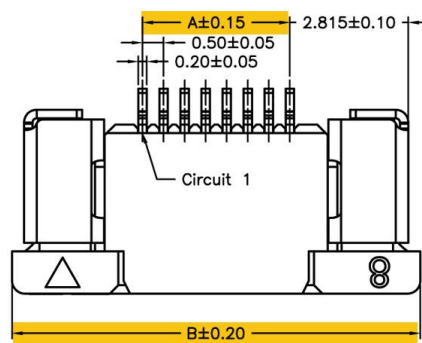
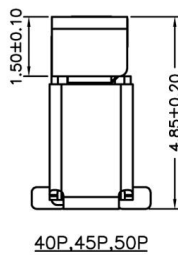
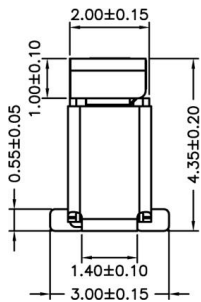
Right Angel Connector
Top Contact Style
 0.50 mm pitch FFC/FPC
 ZIF, SMT Type
F0500 WRS-xxP

Ordering Information & Dimensions

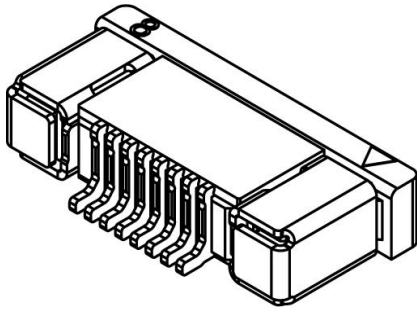


SVHJ - F0500WRS - xxP	Dimensions (mm)		
	A	B	C
SVHJ - F0500WRS - 4P	1.50	7.70	2.60
SVHJ - F0500WRS - 5P	2.00	8.20	3.10
SVHJ - F0500WRS - 6P	2.50	8.70	3.60
SVHJ - F0500WRS - 7P	3.00	9.20	4.10
SVHJ - F0500WRS - 8P	3.50	9.70	4.60
SVHJ - F0500WRS - 9P	4.00	10.20	5.10
SVHJ - F0500WRS - 10P	4.50	10.70	5.60
SVHJ - F0500WRS - 11P	5.00	11.20	6.10
SVHJ - F0500WRS - 12P	5.50	11.70	6.60
SVHJ - F0500WRS - 13P	6.00	12.20	7.10
SVHJ - F0500WRS - 14P	6.50	12.70	7.60
SVHJ - F0500WRS - 15P	7.00	13.20	8.10
SVHJ - F0500WRS - 16P	7.50	13.70	8.60
SVHJ - F0500WRS - 17P	8.00	14.20	9.10
SVHJ - F0500WRS - 18P	8.50	14.70	9.60
SVHJ - F0500WRS - 19P	9.00	15.20	10.10
SVHJ - F0500WRS - 20P	9.50	15.70	10.60
SVHJ - F0500WRS - 21P	10.00	16.20	11.10
SVHJ - F0500WRS - 22P	10.50	16.70	11.60
SVHJ - F0500WRS - 23P	11.00	17.20	12.10
SVHJ - F0500WRS - 24P	11.50	17.70	12.60

SVHJ - F0500WRS - xxP	Dimensions (mm)		
	A	B	C
SVHJ - F0500WRS - 25P	12.00	18.20	13.10
SVHJ - F0500WRS - 26P	12.50	18.70	13.60
SVHJ - F0500WRS - 27P	13.00	19.20	14.10
SVHJ - F0500WRS - 28P	13.50	19.70	14.60
SVHJ - F0500WRS - 29P	14.00	20.20	15.10
SVHJ - F0500WRS - 30P	14.50	20.70	15.60
SVHJ - F0500WRS - 31P	15.00	21.20	16.10
SVHJ - F0500WRS - 32P	15.50	21.70	16.60
SVHJ - F0500WRS - 33P	16.00	22.20	17.10
SVHJ - F0500WRS - 34P	16.50	22.70	17.60
SVHJ - F0500WRS - 35P	17.00	23.20	18.10
SVHJ - F0500WRS - 36P	17.50	23.70	18.60
SVHJ - F0500WRS - 37P	18.00	24.20	19.10
SVHJ - F0500WRS - 38P	18.50	24.70	19.60
SVHJ - F0500WRS - 39P	19.00	25.20	20.10
SVHJ - F0500WRS - 40P	19.50	25.70	20.60
SVHJ - F0500WRS - 45P	22.00	28.20	23.10
SVHJ - F0500WRS - 49P	24.00	30.20	25.60
SVHJ - F0500WRS - 50P	24.50	30.70	25.10
SVHJ - F0500WRS - 51P	25.00	31.20	26.10



Right Angel Connector
Bottom Contact Style
 0.50 mm pitch FFC/FPC
 ZIF, SMT Type
F0500 WRS - xxPB



Ordering Information & Dimensions

SVHJ - F0500WRS - xxPB	Dimensions (mm)		
	A	B	C
SVHJ - F0500WRS - 4PB	1.50	7.70	2.60
SVHJ - F0500WRS - 5PB	2.00	8.20	3.10
SVHJ - F0500WRS - 6PB	2.50	8.70	3.60
SVHJ - F0500WRS - 7PB	3.00	9.20	4.10
SVHJ - F0500WRS - 8PB	3.50	9.70	4.60
SVHJ - F0500WRS - 9PB	4.00	10.20	5.10
SVHJ - F0500WRS - 10PB	4.50	10.70	5.60
SVHJ - F0500WRS - 11PB	5.00	11.20	6.10
SVHJ - F0500WRS - 12PB	5.50	11.70	6.60
SVHJ - F0500WRS - 13PB	6.00	12.20	7.10
SVHJ - F0500WRS - 14PB	6.50	12.70	7.60
SVHJ - F0500WRS - 15PB	7.00	13.20	8.10
SVHJ - F0500WRS - 16PB	7.50	13.70	8.60
SVHJ - F0500WRS - 17PB	8.00	14.20	9.10
SVHJ - F0500WRS - 18PB	8.50	14.70	9.60
SVHJ - F0500WRS - 19PB	9.00	15.20	10.10
SVHJ - F0500WRS - 20PB	9.50	15.70	10.60
SVHJ - F0500WRS - 21PB	10.00	16.20	11.10
SVHJ - F0500WRS - 22PB	10.50	16.70	11.60
SVHJ - F0500WRS - 23PB	11.00	17.20	12.10
SVHJ - F0500WRS - 24PB	11.50	17.70	12.60

SVHJ - F0500WRS - xxPB	Dimensions (mm)		
	A	B	C
SVHJ - F0500WRS - 25PB	12.00	18.20	13.10
SVHJ - F0500WRS - 26PB	12.50	18.70	13.60
SVHJ - F0500WRS - 27PB	13.00	19.20	14.10
SVHJ - F0500WRS - 28PB	13.50	19.70	14.60
SVHJ - F0500WRS - 29PB	14.00	20.20	15.10
SVHJ - F0500WRS - 30PB	14.50	20.70	15.60
SVHJ - F0500WRS - 31PB	15.00	21.20	16.10
SVHJ - F0500WRS - 32PB	15.50	21.70	16.60
SVHJ - F0500WRS - 33PB	16.00	22.20	17.10
SVHJ - F0500WRS - 34PB	16.50	22.70	17.60
SVHJ - F0500WRS - 35PB	17.00	23.20	18.10
SVHJ - F0500WRS - 36PB	17.50	23.70	18.60
SVHJ - F0500WRS - 37PB	18.00	24.20	19.10
SVHJ - F0500WRS - 38PB	18.50	24.70	19.60
SVHJ - F0500WRS - 39PB	19.00	25.20	20.10
SVHJ - F0500WRS - 40PB	19.50	25.70	20.60
SVHJ - F0500WRS - 45PB	22.00	28.20	23.10
SVHJ - F0500WRS - 49PB	24.00	30.20	25.60
SVHJ - F0500WRS - 50PB	24.50	30.70	25.10
SVHJ - F0500WRS - 51PB	25.00	31.20	26.10

