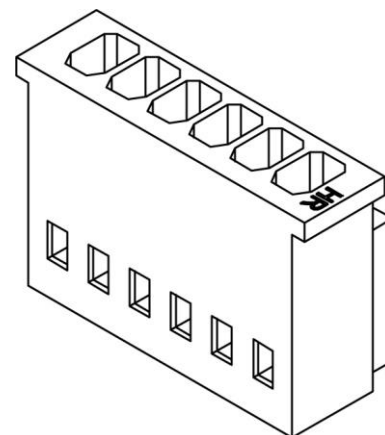


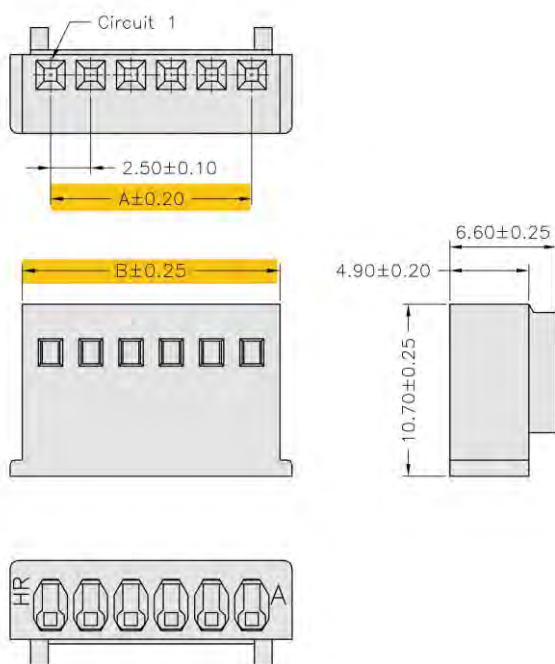
SVHJ-C2504 SERIES
2.50mm pitch
Housing

SVHJ – C2504HF - xxP



Specification

Current Rating	3A AC / DC
Voltage Rating	250V AC / DC
Temperature Range	-25°C ~ +85°C
Contact Resistance	20mΩ Max.
Insulation Resistance	1000MΩ Min.
Withstanding Voltage	1000V AC/minute
Material	Nylon 66, UL94V-0
Color	Natural (White)



Ordering Information & Dimensions

SVHJ – C2504HF - xxP	Dimensions (mm)	
	A	B
SVHJ - C2504HF - 2P	2.50	6.00
SVHJ - C2504HF - 3P	5.00	8.50
SVHJ - C2504HF - 4P	7.50	11.00
SVHJ - C2504HF - 5P	10.00	13.50
SVHJ - C2504HF - 6P	12.50	16.00
SVHJ - C2504HF - 7P	15.00	18.50
SVHJ - C2504HF - 8P	17.50	21.00
SVHJ - C2504HF - 9P	20.00	23.50
SVHJ - C2504HF - 10P	22.50	26.00
SVHJ - C2504HF - 11P	25.00	28.50
SVHJ - C2504HF - 12P	27.50	31.00
SVHJ - C2504HF - 13P	30.00	33.50
SVHJ - C2504HF - 14P	32.50	36.00
SVHJ - C2504HF - 15P	35.00	38.50
SVHJ - C2504HF - 16P	37.50	41.00
SVHJ - C2504HF - 17P	40.00	43.50
SVHJ - C2504HF - 18P	42.50	46.00
SVHJ - C2504HF - 19P	45.00	48.50
SVHJ - C2504HF - 20P	47.50	51.00

P = Pin

SVHJ-C2504 SERIES

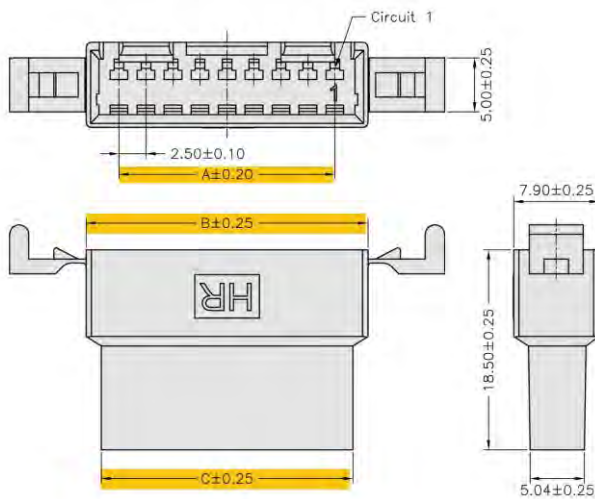
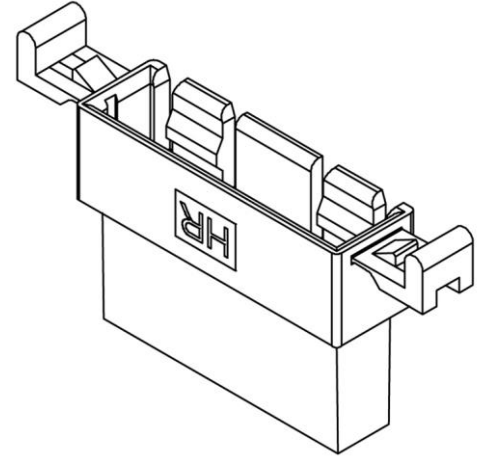
2.50mm pitch

Housing

SVHJ – C2504HM - xxP

Specification

Current Rating	3A AC / DC
Voltage Rating	250V AC / DC
Temperature Range	-25°C ~ +85°C
Contact Resistance	20mΩ Max.
Insulation Resistance	1000MΩ Min.
Withstanding Voltage	1000V AC/minute
Material	Nylon 66, UL94V-0
Color	Natural (White)



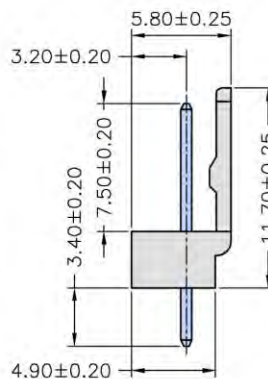
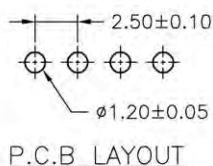
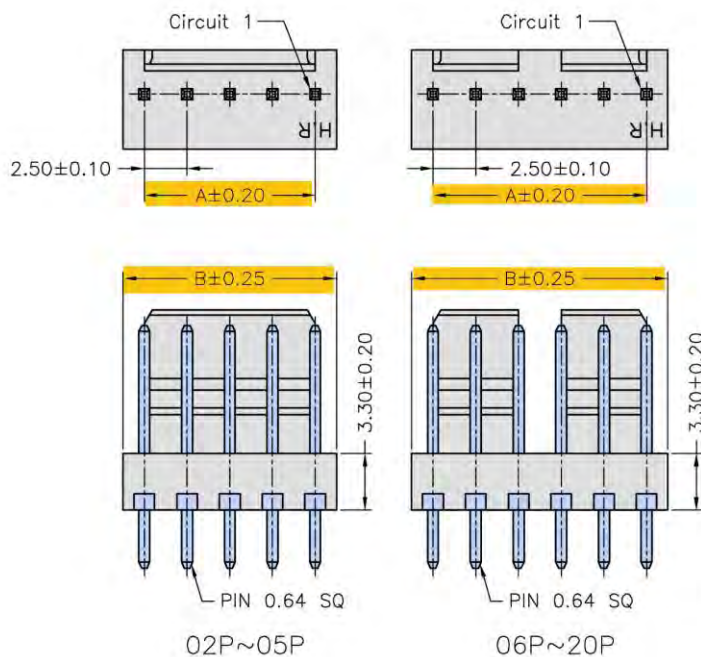
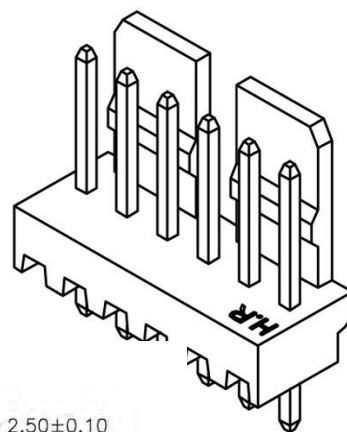
Ordering Information & Dimensions

SVHJ - C2504HM - xxP	Dimensions (mm)		
	A	B	C
SVHJ - C2504HM - 2P	2.50	8.60	5.80
SVHJ - C2504HM - 3P	5.00	11.10	8.30
SVHJ - C2504HM - 4P	7.50	13.60	10.80
SVHJ - C2504HM - 5P	10.00	16.10	13.30
SVHJ - C2504HM - 6P	12.50	18.60	15.80
SVHJ - C2504HM - 7P	15.00	21.10	18.30
SVHJ - C2504HM - 8P	17.50	23.60	20.80
SVHJ - C2504HM - 9P	20.00	26.10	23.30
SVHJ - C2504HM - 10P	22.50	28.60	25.80
SVHJ - C2504HM - 11P	25.00	31.10	28.30
SVHJ - C2504HM - 12P	27.50	33.60	30.80
SVHJ - C2504HM - 13P	30.00	36.10	33.30
SVHJ - C2504HM - 14P	32.50	38.60	35.80
SVHJ - C2504HM - 15P	35.00	41.10	38.30
SVHJ - C2504HM - 16P	37.50	43.60	40.80

P = Pin

SVHJ-C2504 SERIES
2.50mm pitch
Vertical Angle Wafer

SVHJ – C2504WV - xxP



Ordering Information & Dimensions

Specification

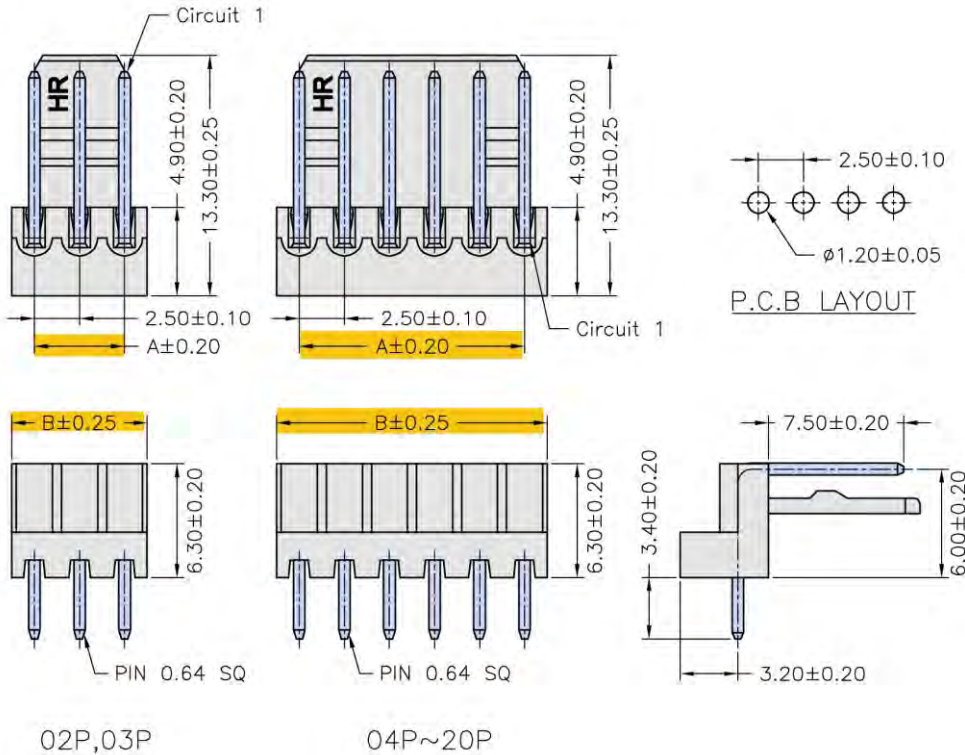
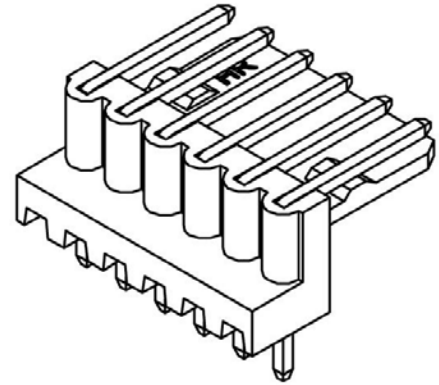
Current Rating	3A AC / DC
Voltage Rating	250V AC / DC
Temperature Range	-25°C ~ +85°C
Contact Resistance	20mΩ Max.
Insulation Resistance	1000MΩ Min.
Withstanding Voltage	1000V AC/minute
Material	Nylon 66, UL94V-0
Pantone Color	7506C

SVHJ - C2504WV - xxP	Dimensions (mm)	
	A	B
SVHJ - C2504WV - 2P	2.50	5.00
SVHJ - C2504WV - 3P	5.00	7.50
SVHJ - C2504WV - 4P	7.50	10.00
SVHJ - C2504WV - 5P	10.00	12.50
SVHJ - C2504WV - 6P	12.50	15.00
SVHJ - C2504WV - 7P	15.00	17.50
SVHJ - C2504WV - 8P	17.50	20.00
SVHJ - C2504WV - 9P	20.00	22.50
SVHJ - C2504WV - 10P	22.50	25.00
SVHJ - C2504WV - 11P	25.00	27.50
SVHJ - C2504WV - 12P	27.50	30.00
SVHJ - C2504WV - 13P	30.00	32.50
SVHJ - C2504WV - 14P	32.50	35.00
SVHJ - C2504WV - 15P	35.00	37.50
SVHJ - C2504WV - 16P	37.50	40.00
SVHJ - C2504WV - 17P	40.00	42.50
SVHJ - C2504WV - 18P	42.50	45.00
SVHJ - C2504WV - 19P	45.00	47.50
SVHJ - C2504WV - 20P	47.50	50.00

P = Pin

SVHJ-C2504 SERIES
2.50mm pitch
Right Angle Wafer

SVHJ – C2504WR - xxP



Ordering Information & Dimensions

SVHJ - C2504WR - xxP	Dimensions (mm)	
	A	B
SVHJ - C2504WR - 2P	2.50	5.00
SVHJ - C2504WR - 3P	5.00	7.50
SVHJ - C2504WR - 4P	7.50	10.00
SVHJ - C2504WR - 5P	10.00	12.50
SVHJ - C2504WR - 6P	12.50	15.00
SVHJ - C2504WR - 7P	15.00	17.50
SVHJ - C2504WR - 8P	17.50	20.00
SVHJ - C2504WR - 9P	20.00	22.50
SVHJ - C2504WR - 10P	22.50	25.00
SVHJ - C2504WR - 11P	25.00	27.50
SVHJ - C2504WR - 12P	27.50	30.00
SVHJ - C2504WR - 13P	30.00	32.50
SVHJ - C2504WR - 14P	32.50	35.00
SVHJ - C2504WR - 15P	35.00	37.50
SVHJ - C2504WR - 16P	37.50	40.00
SVHJ - C2504WR - 17P	40.00	42.50
SVHJ - C2504WR - 18P	42.50	45.00
SVHJ - C2504WR - 19P	45.00	47.50
SVHJ - C2504WR - 20P	47.50	50.00

Specification

Current Rating	3A AC / DC
Voltage Rating	250V AC / DC
Temperature Range	-25°C ~ +85°C
Contact Resistance	20mΩ Max.
Insulation Resistance	1000MΩ Min.
Withstanding Voltage	1000V AC/minute
Material	Nylon 66, UL94V-0
Pantone Color	7506 C

P = Pin