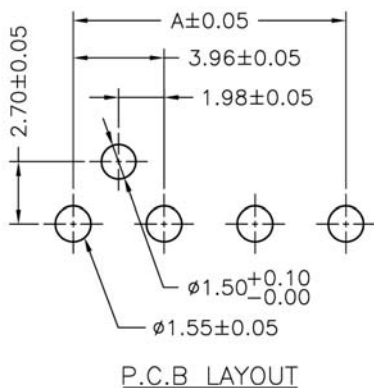
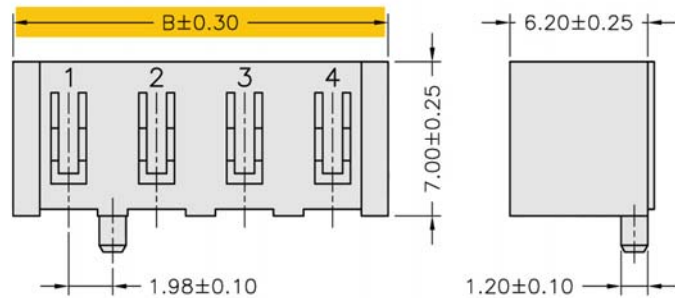
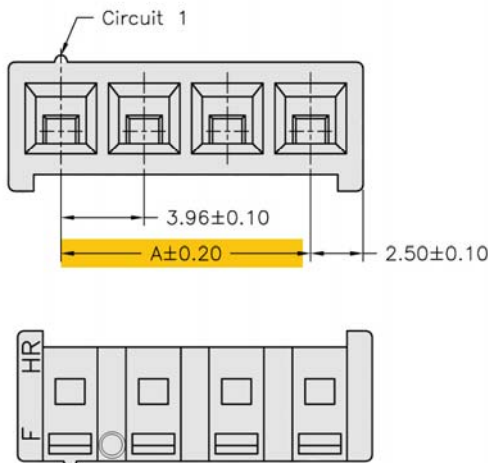
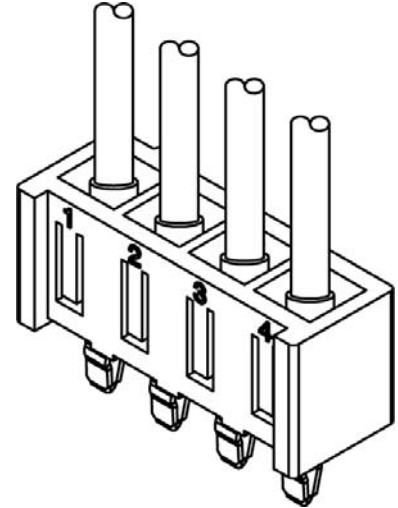


**SVHJ-B3965 SERIES**  
**3.96mm pitch**  
**Vertical Angle Housing – with polarizing boss**

**SVHJ – B3965HVF - xxP**

**Specification**

Current Rating	7A AC / DC
Voltage Rating	250V AC / DC
Temperature Range	-25°C ~ +85°C
Contact Resistance	10mΩ Max.
Insulation Resistance	1000MΩ Min.
Withstanding Voltage	1500V AC/minute
Material	Nylon 66, UL94V-0
Color	Natural (White)



**Ordering Information & Dimensions**

SVHJ – B3965HVF - xxP	Dimensions	
	A	B
SVHJ - B3965HVF - 2P	3.96	8.96
SVHJ - B3965HVF - 3P	7.92	12.92
SVHJ - B3965HVF - 4P	11.88	16.88
SVHJ - B3965HVF - 5P	15.84	20.84
SVHJ - B3965HVF - 6P	19.80	24.80
SVHJ - B3965HVF - 7P	23.76	28.76
SVHJ - B3965HVF - 8P	27.72	32.72
SVHJ - B3965HVF - 9P	31.68	36.68
SVHJ - B3965HVF - 10P	35.64	40.64
SVHJ - B3965HVF - 11P	39.60	44.60
SVHJ - B3965HVF - 12P	43.56	48.56
SVHJ - B3965HVF - 13P	47.52	52.52
SVHJ - B3965HVF - 14P	51.48	56.48
SVHJ - B3965HVF - 15P	55.44	60.44

P = Pin