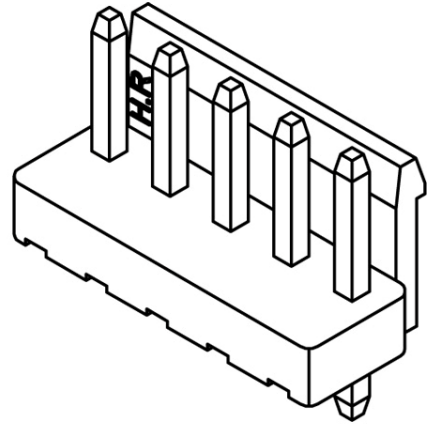


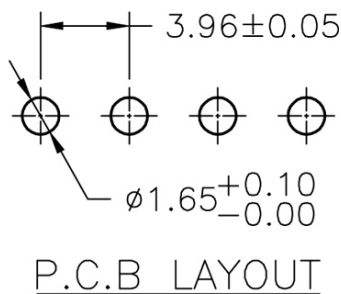
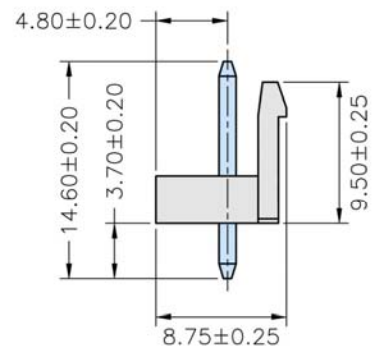
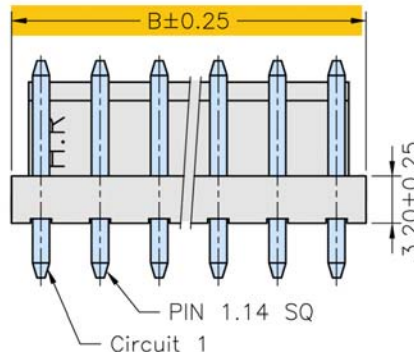
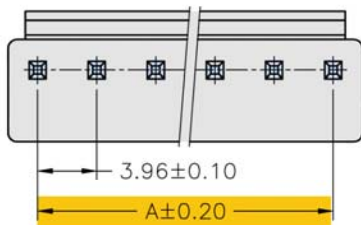
SVHJ-A3961 SERIES
3.96mm pitch
Vertical Angle Wafer DIP

SVHJ – A3961WV - xxP



Specification

Current Rating	7A AC / DC
Voltage Rating	250V AC / DC
Temperature Range	-25°C ~ +85°C
Contact Resistance	10mΩ Max.
Insulation Resistance	1000MΩ Min.
Withstanding Voltage	1500V AC/minute
Pin Material	Brass / Tin-Plated
Material	Nylon 66, UL94V-0
Color	Natural (White)



Ordering Information & Dimensions

SVHJ – A3961WV - xxP	Dimensions (mm)	
	A	B
SVHJ - A3961WV - 2P	3.96	7.92
SVHJ - A3961WV - 3P	7.92	11.88
SVHJ - A3961WV - 4P	11.88	15.84
SVHJ - A3961WV - 5P	15.84	19.80
SVHJ - A3961WV - 6P	19.80	23.76
SVHJ - A3961WV - 7P	23.76	27.72
SVHJ - A3961WV - 8P	27.72	31.68
SVHJ - A3961WV - 9P	31.68	35.64
SVHJ - A3961WV - 10P	35.64	39.60
SVHJ - A3961WV - 11P	39.60	43.56
SVHJ - A3961WV - 12P	43.56	47.52
SVHJ - A3961WV - 13P	47.52	51.48
SVHJ - A3961WV - 14P	51.48	55.44
SVHJ - A3961WV - 15P	55.44	59.40

P = Pin