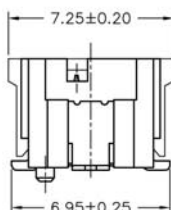
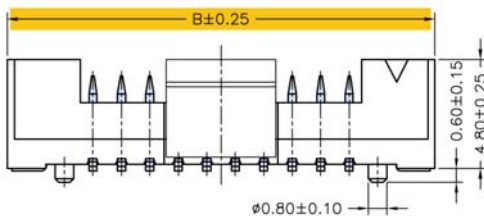
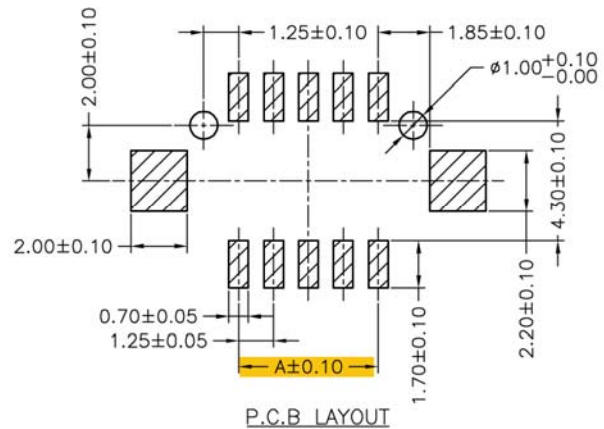
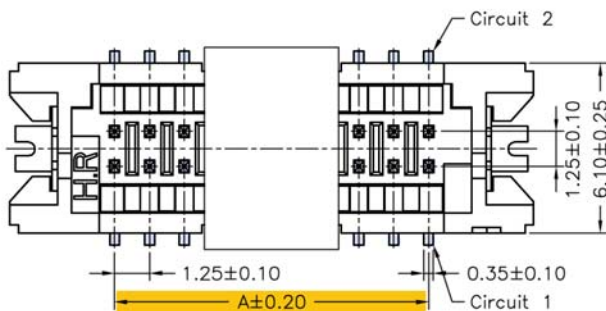
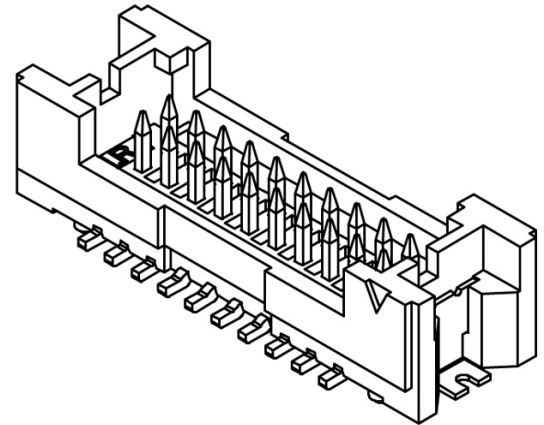


**SVHJ-A1252 SERIES**  
**1.25mm pitch**  
**Vertical Angle**  
**Dual Row Wafer SMT**

**SVHJ – A1252WVSF – 2X xxP**

**Specification**

Current Rating	1A AC / DC
Voltage Rating	150V AC / DC
Temperature Range	-25°C ~ +85°C
Contact Resistance	30mΩ Max.
Insulation Resistance	500MΩ Min.
Withstanding Voltage	500V AC/minute
Pin Material	Brass / Gold-flash
Solder Tabs	Brass / Gold-flash
Cap	Nylon 66, UL94V-0 / Natural (Beige)
Material	Nylon 66, UL94V-0
Color	Natural (Beige)



**Ordering Information & Dimensions**

SVHJ - A1252WVSF - 2X xxP	Dimensions	
	A	B
SVHJ - A1252 WVSF - 2X5P	5.00	12.50
SVHJ - A1252 WVSF - 2X7P	7.50	15.00
SVHJ - A1252 WVSF - 2X10P	11.25	18.75
SVHJ - A1252 WVSF - 2X15P	17.50	25.00
SVHJ - A1252 WVSF - 2X20P	23.75	31.25

P = Pin