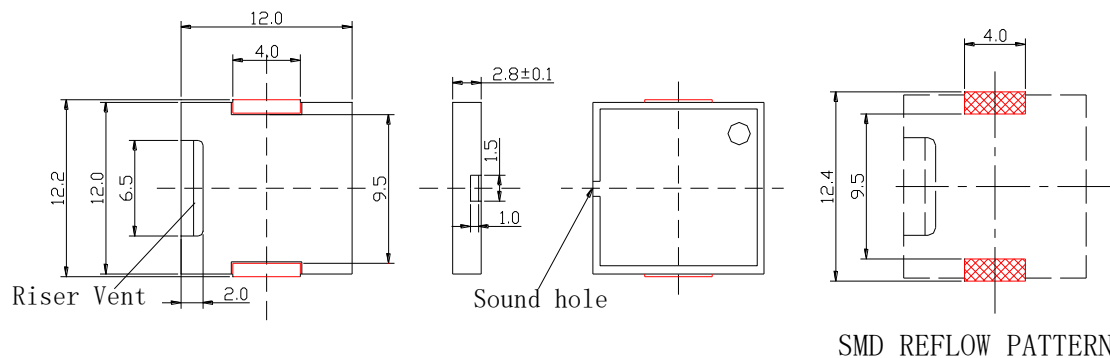
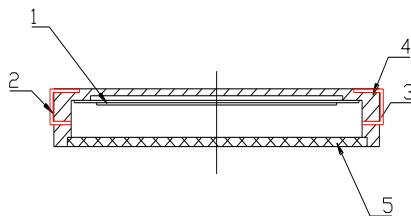


| SGNU-UGPT12BM | | |
|-------------------------------------|------|---------------|
| ITEM | UNIT | SPECIFICATION |
| Dimensions | mm | 12*12*3 |
| Rated Voltage (Square Wave) | Vp-p | 3 |
| Operating Voltage | Vp-p | 1-25 |
| *Rated Current (Max) | mA | 1 |
| *Min Sound Output at 4.0kHz/10cm | dB | 78 |
| *Resonant Frequency | Hz | 4000 |
| Capacitance at 120Hz | pF | 15000±30% |
| Operating Temperature | °C | -40~+85 |
| Storage Temperature | °C | -40~+85 |
| Weight | g | 0.4 |
| Housing Material | | LCP |
| Tone Nature | | Single |
| Connection | | SMD |
| QTY per Tape / Reel (Blister Gurte) | pcs | |

*Value Applying at Rated Voltage (resonant frequency , 1/2 duty , square wave)



Unless otherwise specified: Tolerance :± 0.5 (Unit: mm)