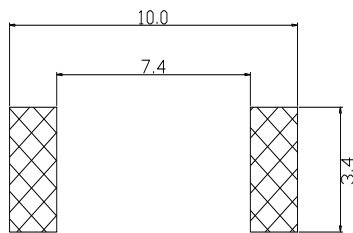
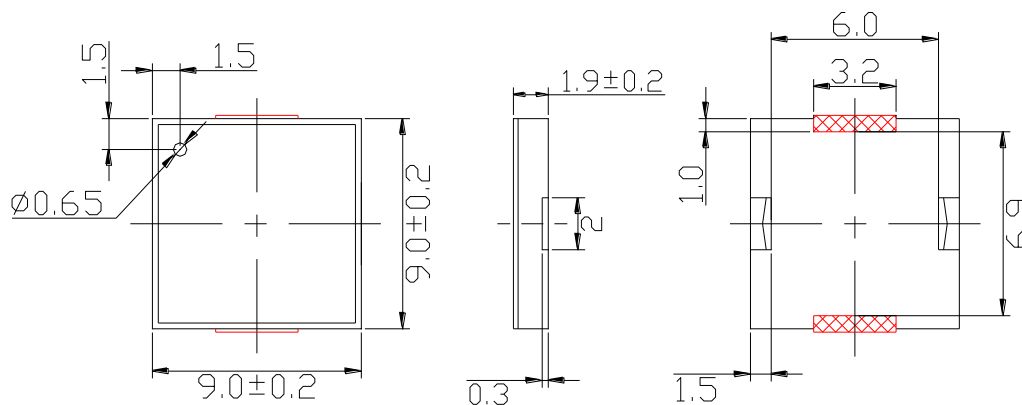


SGNU-UGPT09A		
ITEM	UNIT	SPECIFICATION
Dimensions	mm	9*9*1.9
Rated Voltage (Square Wave)	Vp-p	3
Operating Voltage	Vp-p	1-25
*Min Sound Output at 4.0kHz/10cm	dB	72 (Typ.75)
*Resonant Frequency	Hz	4000
Capacitance at 1KHz	pF	12000±30%
Operating Temperature	°C	-40~+85
Storage Temperature	°C	-40~+85
Weight	g	0.2
Housing Material		LCP
Tone Nature		Single
QTY per Tape / Reel (Blister Gurte)	pcs	

*Value Applying at Rated Voltage (resonant frequency , 1/2 duty , square wave)



SMD REFLOW PATTERN



Unless otherwise specified: Tolerance :± 0.5 (Unit: mm)