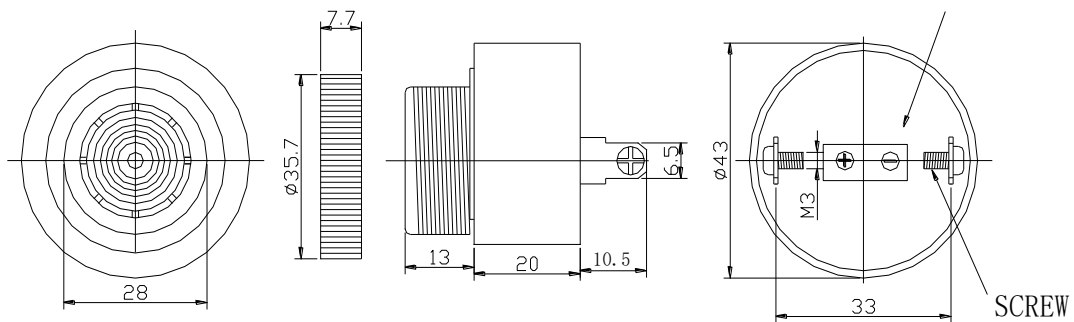
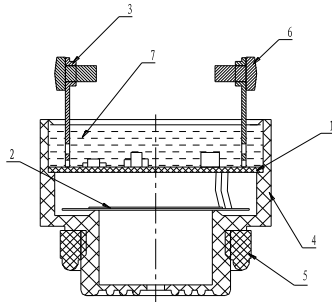


SGNU-UGPM43BX		
ITEM	UNIT	SPECIFICATION
Dimensions	mm	φ43*33
Rated Voltage (Square Wave)	VDC	12
Operating Voltage	VDC	4-28DC
*Rated Current (Max) at 12VDC	mA	8
*Min Sound Output at 10cm at 12VDC (MIN)	dB	≥97
*Resonant Frequency	Hz	2800±500
Operating Temperature	°C	-20~+60
Storage Temperature	°C	-30~+70
Weight	g	43
Housing Material		ABS(Black)
Tone Nature		Single
Lead Pin Material		Brass/DNi
QTY per Tape / Reel (Blister Gurte)	pcs	

* Value Applying at Rated Voltage(VDC)



Unless otherwise specified: Tolerance :± 0.5 (Unit: mm)