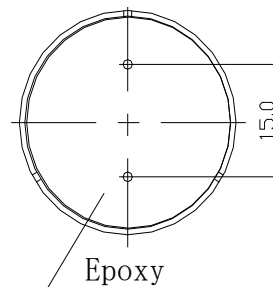
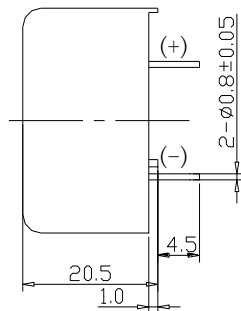
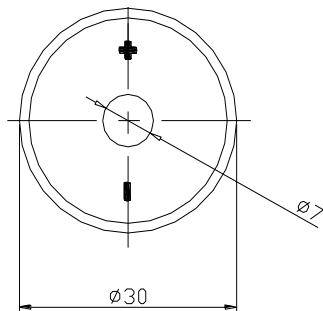
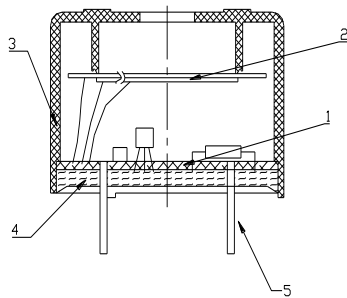


SGNU-UGPM30AX		
ITEM	UNIT	SPECIFICATION
Dimensions	mm	φ30*20.5
Rated Voltage (Square Wave)	VDC	12
Operating Voltage	VDC	3-24
*Rated Current (Max)	mA	15
*Min Sound Output at 10cm	dB	90
*Resonant Frequency	Hz	3900±500
Operating Temperature	°C	-30~+70
Storage Temperature	°C	-40~+85
Weight	g	8
Housing Material		PBT (Black)
Tone Nature		Single
Lead Pin Material		Red Copper (DSn)
QTY per Tape / Reel (Blister Gurte)	pcs	

* Value Applying at Rated Voltage(DC)



Unless otherwise specified: Tolerance :± 0.5 (Unit: mm)