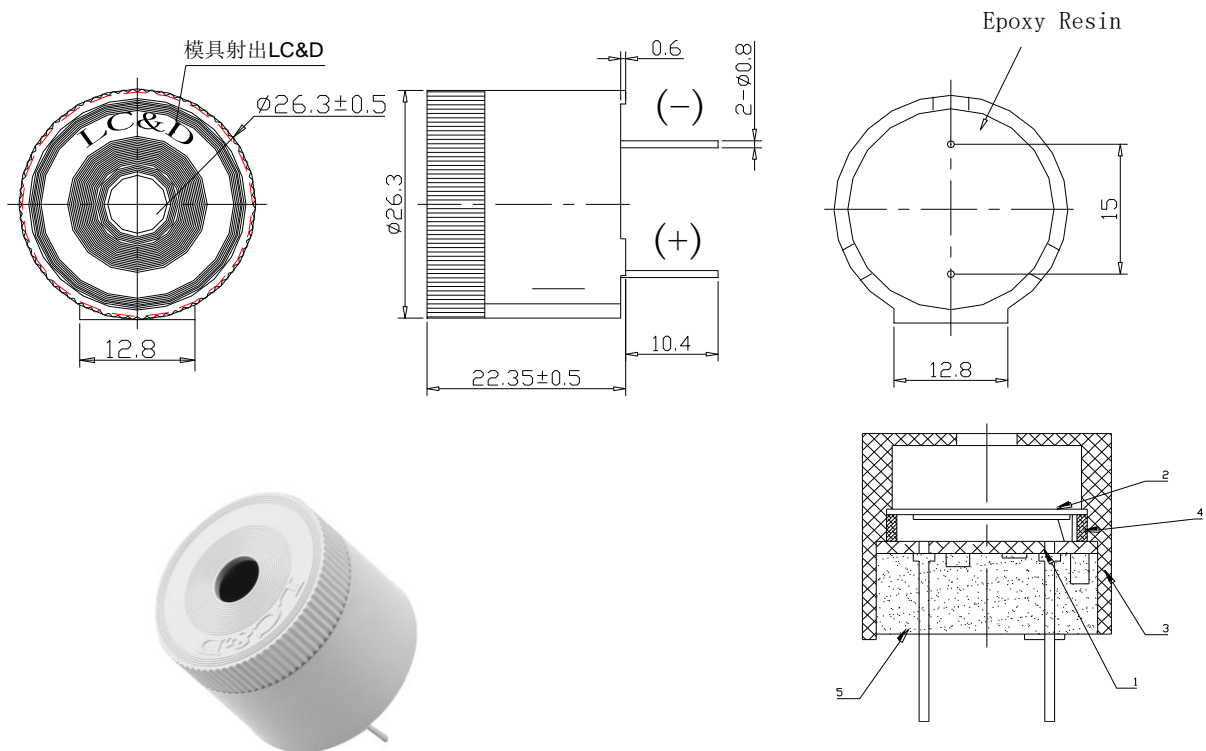


SGNU-UGPM26BX		
ITEM	UNIT	SPECIFICATION
Dimensions	mm	φ26.3*22.3
Rated Voltage (Square Wave)	VDC	12
Operating Voltage	VDC	5-18
*Rated Current (Max)	mA	50
* Min Sound Output at 10cm	dB	98/9VDC
		100/12VDC
*Resonant Frequency	Hz	2800±500
Operating Temperature	°C	-30~+70
Storage Temperature	°C	-40~+85
Weight	g	12
Housing Material		Noryl (GRAY)
Tone Nature		Single
Lead Pin Material		Red Copper (DSn)
QTY per Tape / Reel (Blister Gurte)	pcs	

*Value Applying at Rated Voltage(DC)



Unless otherwise specified: Tolerance :± 0.5 (Unit: mm)