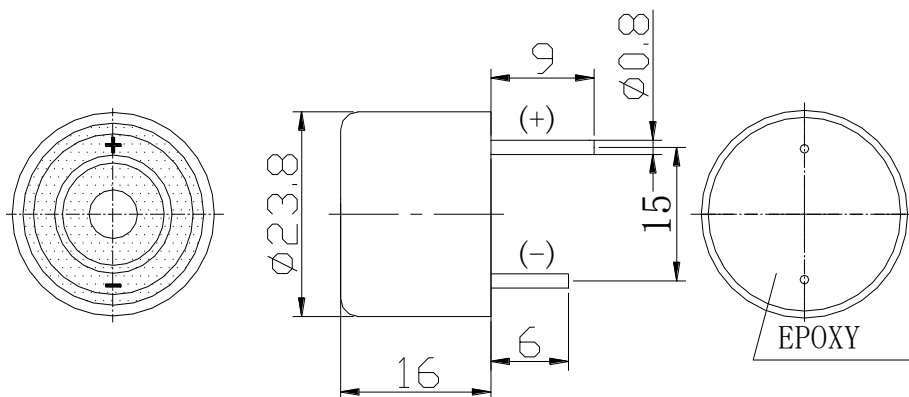
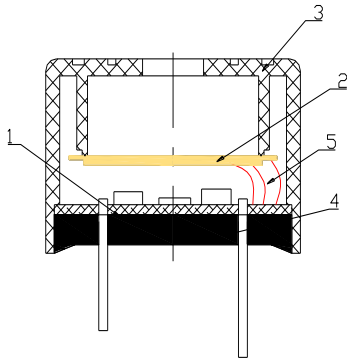


SGNU-UGPM24DX		
ITEM	UNIT	SPECIFICATION
Dimensions	mm	φ23.8*16
Rated Voltage (Square Wave)	VDC	12
Operating Voltage	VDC	3-20
*Rated Current (Max)	mA	15
* Min Sound Output at 30cm	dB	85
*Resonant Frequency	Hz	2900±500
Operating Temperature	°C	-30~+70
Storage Temperature	°C	-40~+85
Weight	g	6
Housing Material		Black Noryl
Tone Nature		Single
Lead Pin Material		Red Copper (DSn)
QTY per Tape / Reel (Blister Gurte)	pcs	

* Value Applying at Rated Voltage(DC)



Unless otherwise specified: Tolerance :± 0.5 (Unit: mm)