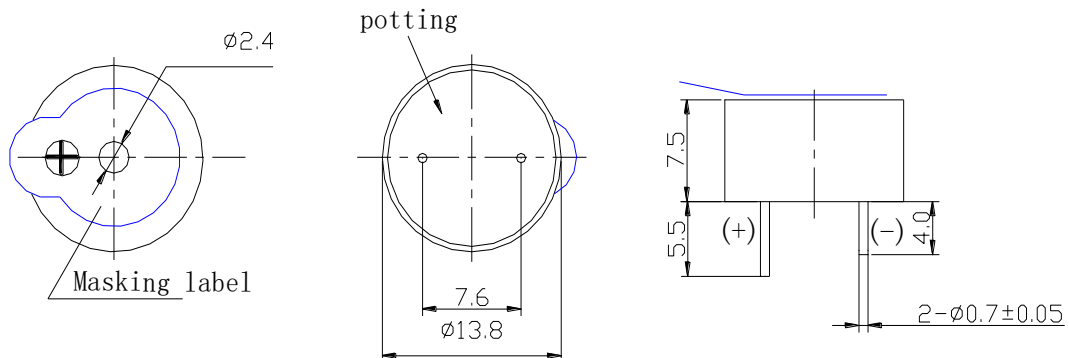
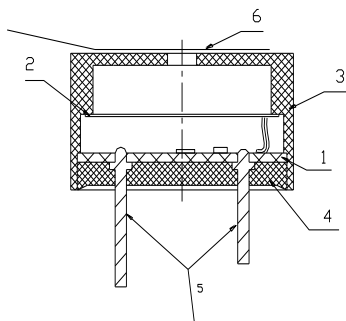


SGNU-UGPM14BX		
ITEM	UNIT	SPECIFICATION
Dimensions	mm	$\phi 13.8 * 7.5$
Rated Voltage (Square Wave)	VDC	12
Operating Voltage	VDC	9-16
*Rated Current (Max)	mA	7
*Min Sound Output at 10cm	dB	88
*Resonant Frequency	Hz	4000 \pm 500
Operating Temperature	$^{\circ}$ C	-30 \sim +70
Storage Temperature	$^{\circ}$ C	-40 \sim +85
Weight	g	1
Housing Material		MPPO(Black)
Tone Nature		Single
Lead Pin Material		Red Copper (DSn)

* Value Applying at Rated Voltage(DC)



内部电路IC驱动防反接

Unless otherwise specified: Tolerance : \pm 0.5 (Unit: mm)