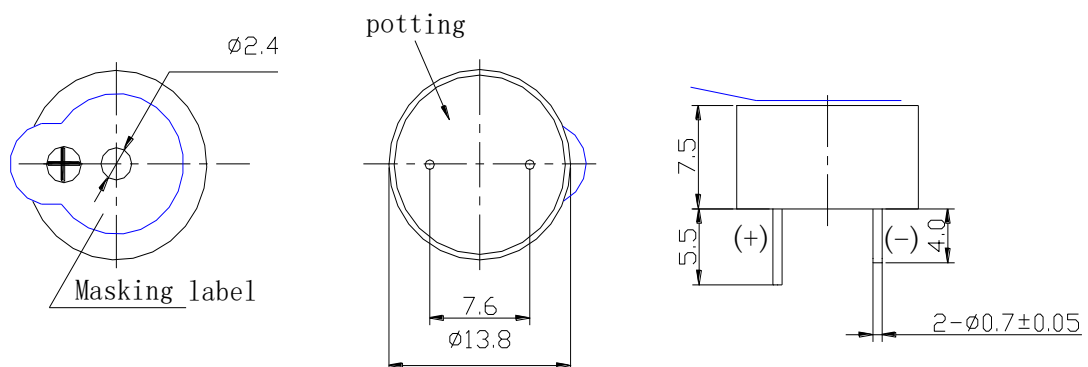
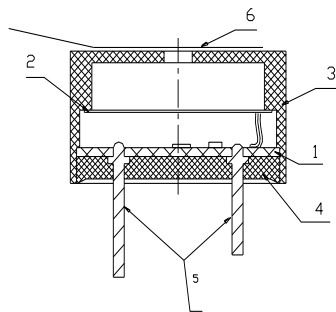


SGNU-UGPM14A4X		
ITEM	UNIT	SPECIFICATION
Dimensions	mm	φ13.8*7.5
Rated Voltage (Square Wave)	VDC	12
Operating Voltage	VDC	9-16
*Rated Current (Max)	mA	7
*Min Sound Output at 10cm	dB	88
*Resonant Frequency	Hz	4000±500
Operating Temperature	°C	-30~+70
Storage Temperature	°C	-40~+85
Weight	g	1
Housing Material		MPPO(Black)
Tone Nature		Single
Lead Pin Material		Red Copper (DSn)
QTY per Tape / Reel (Blister Gurte)	pcs	

* Value Applying at Rated Voltage(DC)



内部电路IC驱动防反接

Unless otherwise specified: Tolerance :± 0.5 (Unit: mm)