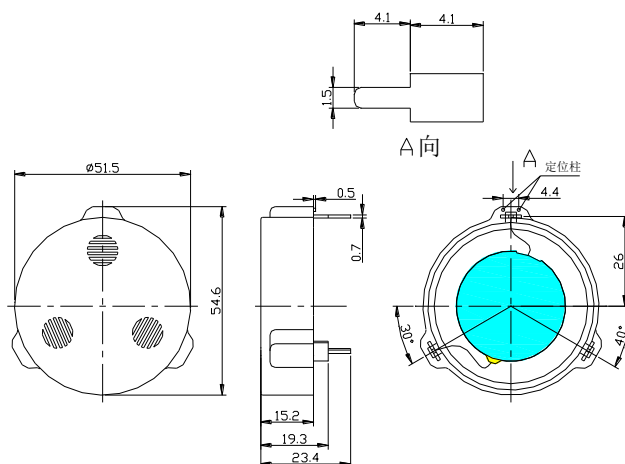
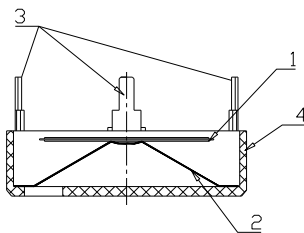


| SGNU-UGPA52E | | |
|---|------|---------------|
| ITEM | UNIT | SPECIFICATION |
| Dimensions | mm | Φ51.5*15.2 |
| MAX. Input Voltage | Vp-p | 60 |
| *Min Sound Output at 18Vp-p Square wave/3500Hz/1m | dB | 92 |
| *Resonant Frequency | Hz | 2 – 4K |
| Capacitance at 120Hz | pF | 70±30% |
| Operating Temperature | °C | -40~+85 |
| Storage Temperature | °C | -40~+85 |
| Weight | g | 14 |
| Case Material / Colour | | PA6 / Black |
| QTY per Tape / Reel (Blister Gurte) | pcs | |

*Value Applying at Rated Voltage (resonant frequency , 1/2 duty , square wave)



Unless otherwise specified: Tolerance :± 0.5 (Unit: mm)