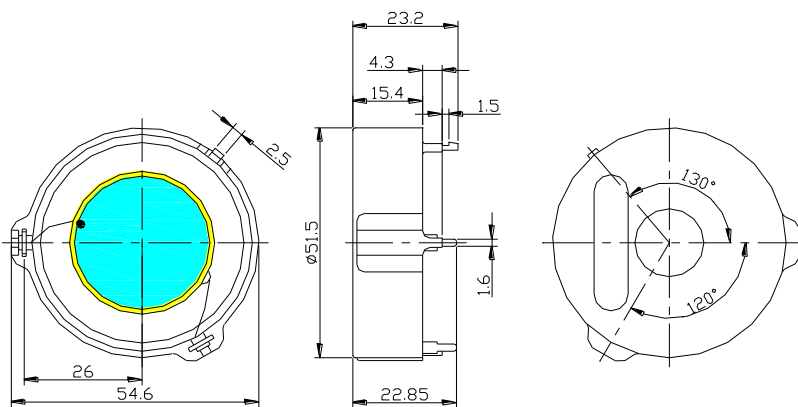
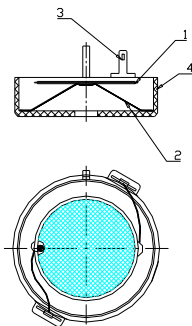


SGNU-UGPA52A		
ITEM	UNIT	SPECIFICATION
Dimensions	mm	Φ51.5*15.4
MAX. Input Voltage	Vp-p	60
*Min Sound Output at 18Vp-p Square wave/1000Hz/10cm	dB	≥105
*Resonant Frequency	Hz	2 – 4K
Capacitance at 120Hz	pF	120±30%
Operating Temperature	°C	-40~+105
Storage Temperature	°C	-40~+105
Weight	g	14
Case Material / Colour		PA6 / Black
QTY per Tape / Reel (Blister Gurte)	pcs	

* Value Applying at Rated Voltage (resonant frequency , 1/2 duty , square wave)



Unless otherwise specified: Tolerance :± 0.5 (Unit: mm)