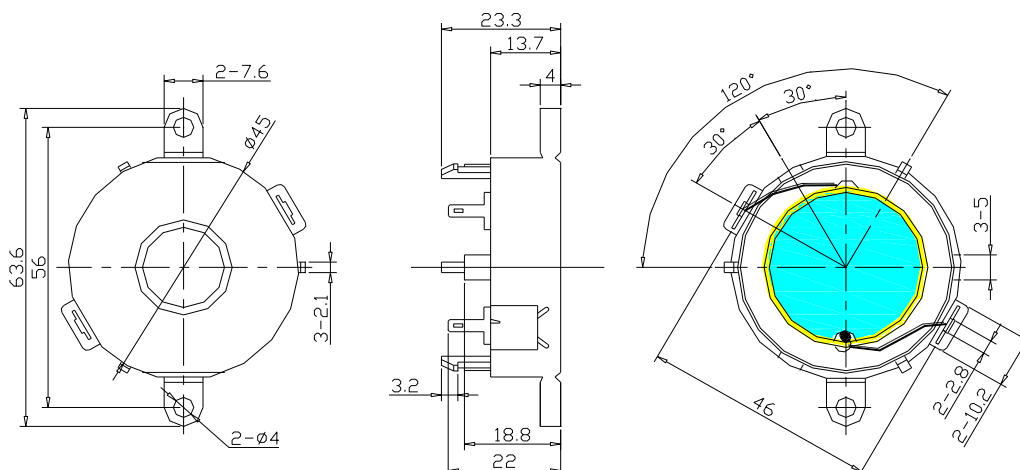
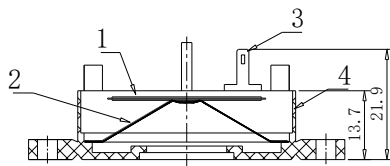


SGNU-UGPA45B		
ITEM	UNIT	SPECIFICATION
Dimensions	mm	Φ45*13.7
Continuous drive voltage (MAX)	Vp-p	50(50%duty cycle)
Intermittent drive voltage (MAX)	Vp-p	60(50%duty cycle)
*Sound Output Level at 30 cm 12Vp-p Square wave 3.0KHz (MIN)	dB	100
*Resonant Frequency	Hz	2200-4000
Capacitance at 120Hz	pF	140±30%
Operating Temperature	°C	-40~+105
Storage Temperature	°C	-40~+105
QTY per Tape / Reel (Blister Gurte)	pcs	

* Value Applying at Rated Voltage (resonant frequency , 1/2 duty , square wave)



Unless otherwise specified: Tolerance :± 0.5 (Unit: mm)