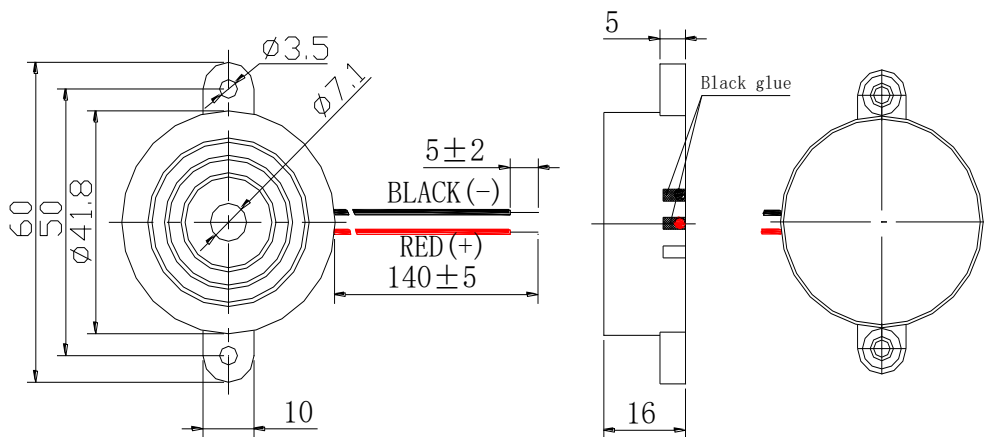
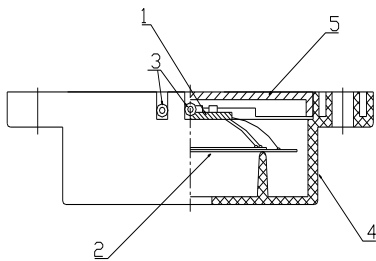


SGNU-UGPA42CX		
ITEM	UNIT	SPECIFICATION
Dimensions	mm	φ41.8*16
Rated Voltage (Square Wave)	VDC	12
Operating Voltage	VDC	1.5-20
*Rated Current (Max)	mA	15
*Min Sound Output at 30cm	dB	96
*Resonant Frequency	Hz	2800±500
Operating Temperature	°C	-20~+60
Storage Temperature	°C	-30~+70
Weight	g	15
Housing Material		Black ABS
Tone Nature		Single
Lead Wire		UL1007 AWG28(Red & Black)
QTY per Tape / Reel (Blister Gurte)	pcs	

* Value Applying at Rated Voltage(VDC)



Unless otherwise specified: Tolerance :± 0.5 (Unit: mm)