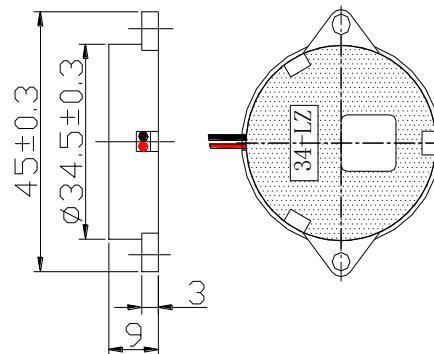
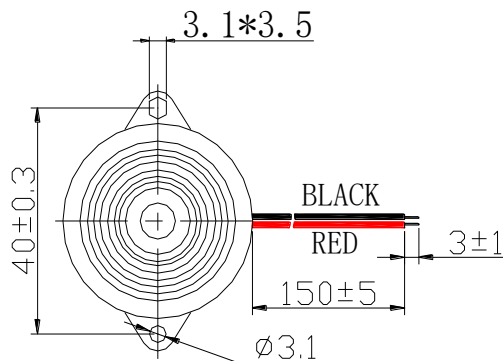
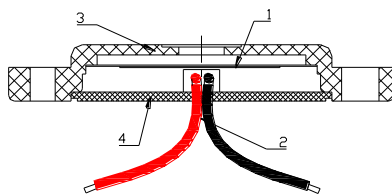


SGNU-UGPA35B		
ITEM	UNIT	SPECIFICATION
Dimensions	mm	Φ34.5*9
Rated Voltage (Square Wave)	Vp-p	10
Operating Voltage	Vp-p	1-30
*Rated Current (Max)	mA	9
*Min Sound Output at 1.1kHz/10cm	dB	85
*Resonant Frequency	Hz	1100
Capacitance at 120Hz	pF	50000±30%
Operating Temperature	°C	-20~+60
Storage Temperature	°C	-30~+70
Weight	g	5
Housing Material		Black ABS
Tone Nature		Single
Lead wire		UL1095 AWG28
QTY per Tape / Reel (Blister Gurte)	pcs	

\* Value Applying at Rated Voltage ( resonant frequency , 1/2 duty , square wave )



Unless otherwise specified: Tolerance :± 0.5 (Unit: mm)