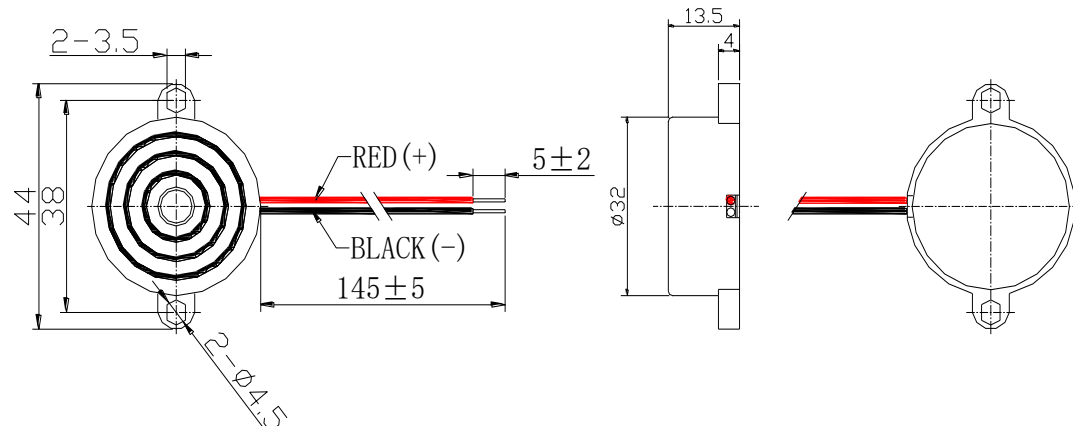
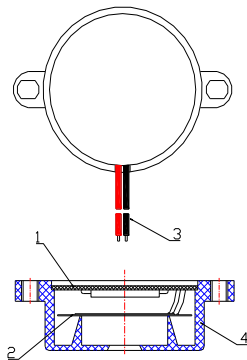


| SGNU-UGPA32BX | | |
|-------------------------------------|-------------|------------------------------|
| ITEM | UNIT | SPECIFICATION |
| Dimensions | mm | φ32*13.5 |
| Rated Voltage (Square Wave) | VDC | 12 |
| Operating Voltage | VDC | 3-28 |
| *Rated Current (Max) | mA | 10 |
| *Min Sound Output at 30cm | dB | 90 |
| *Resonant Frequency | Hz | 3500±500 |
| Operating Temperature | °C | -20~+60 |
| Storage Temperature | °C | -30~+70 |
| Weight | g | 8.0 |
| Housing Material | | Black ABS757 |
| Tone Nature | | Single |
| Lead Wire | | UL1095 AWG28 (Red & Black) |
| QTY per Tape / Reel (Blister Gurte) | pcs | |

* Value Applying at Rated Voltage(DC)



Unless otherwise specified: Tolerance :± 0.5 (Unit: mm)