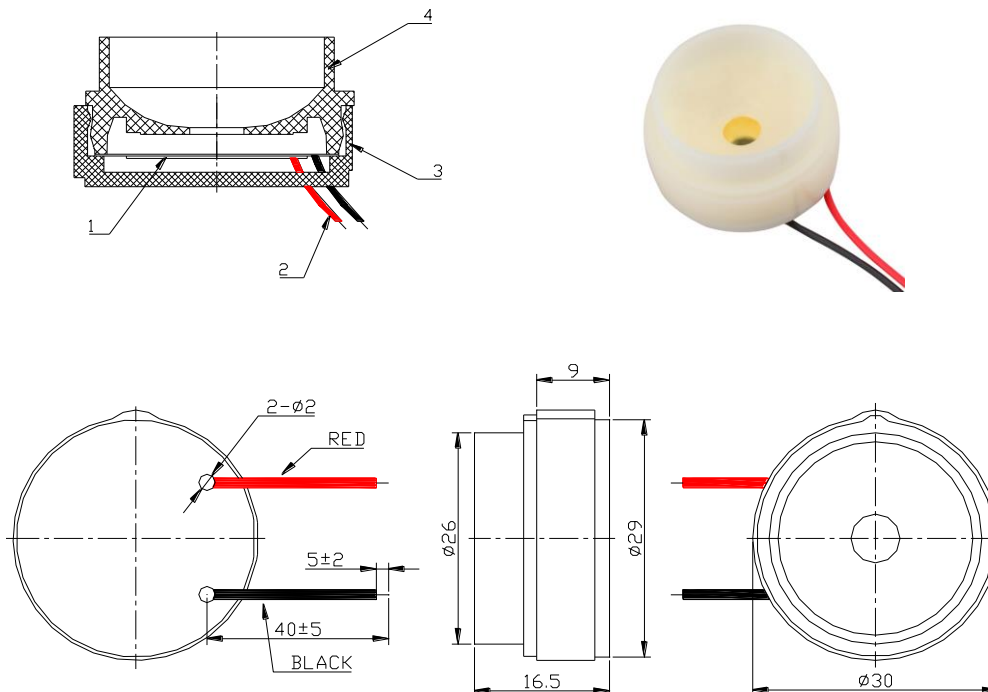


SGNU-UGPA30CS		
ITEM	UNIT	SPECIFICATION
Dimensions	mm	Φ30*16.5
Rated Voltage (Square Wave)	Vp-p	9
Operating Voltage	Vp-p	3-28
*Rated Current (Max)	mA	5
*Min Sound Output at 3.4kHz/10cm	dB	90
*Resonant Frequency	Hz	3400
Capacitance at 120Hz	pF	25000±30%
Operating Temperature	°C	-20~+60
Storage Temperature	°C	-30~+70
Weight	g	8
Housing Material		White (ABS)
Tone Nature		UL1007 AWG28
Lead Wire		Single
QTY per Tape / Reel (Blister Gurte)	pcs	

* Value Applying at Rated Voltage (resonant frequency , 1/2 duty , square wave)



Unless otherwise specified: Tolerance :± 0.5 (Unit: mm)