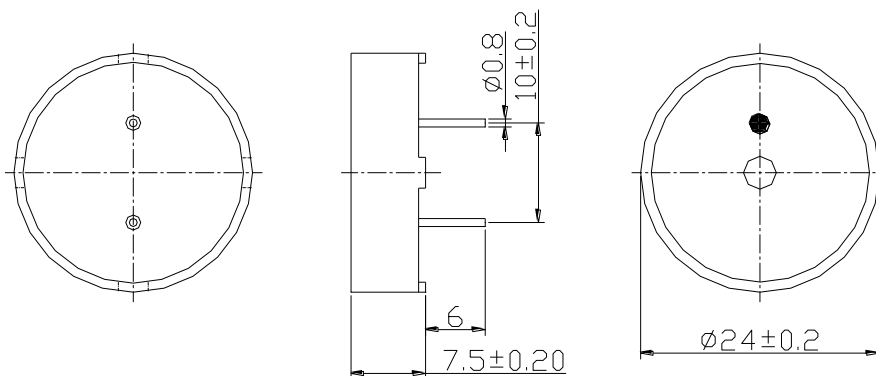
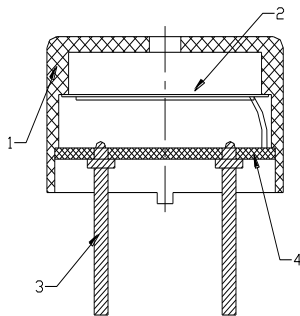


SGNU-UGPA24A		
ITEM	UNIT	SPECIFICATION
Dimensions	mm	Φ24*7.5
Rated Voltage (Square Wave)	Vp-p	9
Operating Voltage	Vp-p	1-30
*Rated Current (Max)	mA	3
*Min Sound Output at 4.0kHz/10cm	dB	85
*Resonant Frequency	Hz	4000
Capacitance at 120Hz	pF	21000±30%
Operating Temperature	°C	-30~+70
Storage Temperature	°C	-40~+85
Weight	g	3
Housing Material		Black MPPO
Tone Nature		Single
Lead Pin Material		Red Copper (DSn)
QTY per Tape / Reel (Blister Gurte)	pcs	

*Value Applying at Rated Voltage (resonant frequency , 1/2 duty , square wave)



Unless otherwise specified: Tolerance :± 0.5 (Unit: mm)