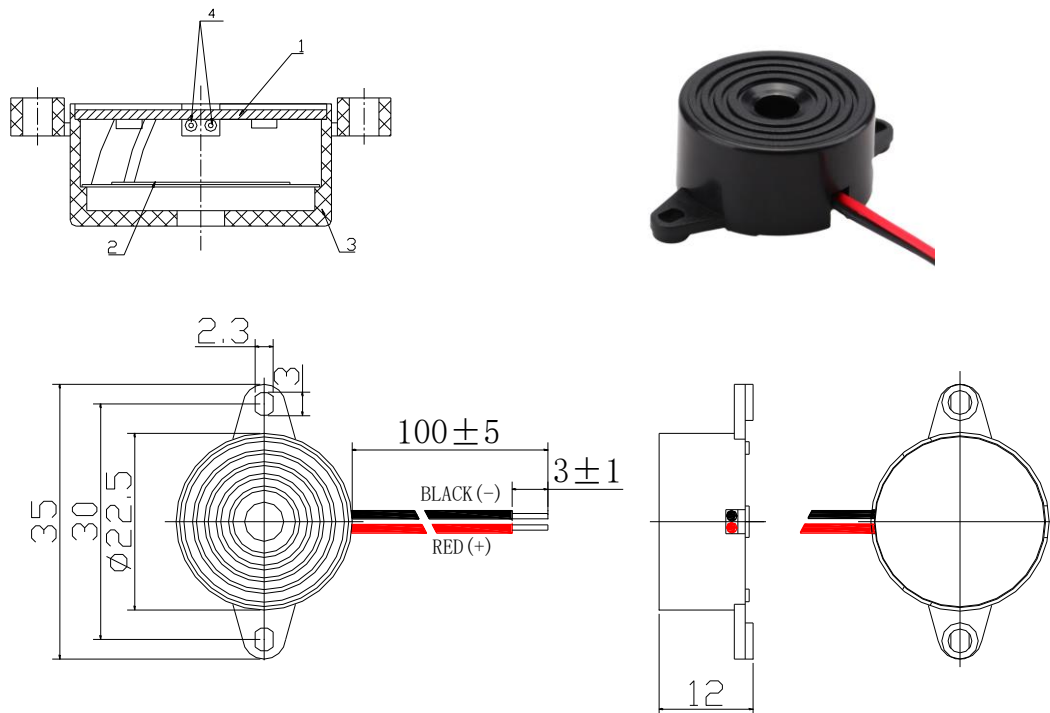


SGNU-UGPA23DX		
ITEM	UNIT	SPECIFICATION
Dimensions	mm	φ22.5*12
Rated Voltage (Square Wave)	VDC	12
Operating Voltage	VDC	1.5-24
*Rated Current (Max)	mA	12
*Min Sound Output at 30cm	dB	85
*Resonant Frequency	Hz	3300±500
Operating Temperature	°C	-20~+60
Storage Temperature	°C	-30~+70
Weight	g	4
Housing Material		Black ABS
Tone Nature		Single
Lead Wire		UL1007 AWG26 (Red & Black)
QTY per Tape / Reel (Blister Gurte)	pcs	

* Value Applying at Rated Voltage(DC)



Unless otherwise specified: Tolerance :± 0.5 (Unit: mm)