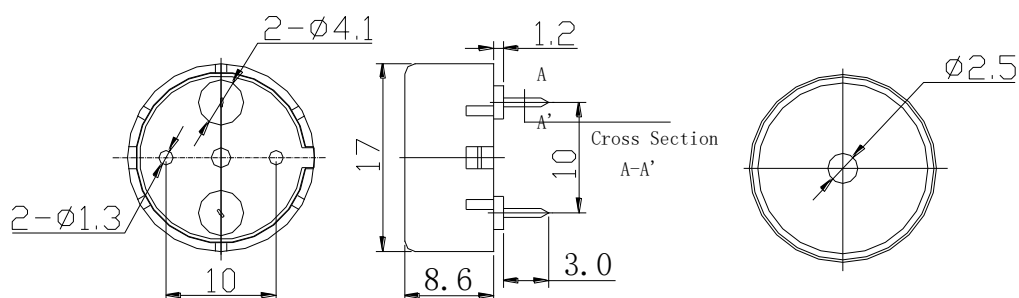
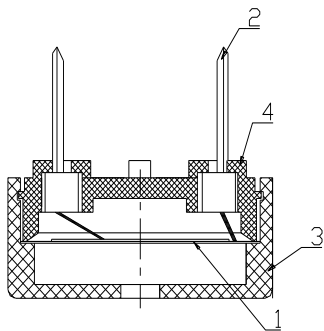


<b>SGNU-UGPA17E2</b>		
<b>ITEM</b>	<b>UNIT</b>	<b>SPECIFICATION</b>
Dimensions	mm	Φ17*9.8
Rated Voltage (Square Wave)	Vp-p	3
Operating Voltage	Vp-p	3-25
*Rated Current (Max)	mA	5
*Min Sound Output at 2.0kHz/10cm	dB	70
*Resonant Frequency	Hz	2000
Capacitance at 120Hz	pF	25000±30%
Operating Temperature	°C	-30~+70
Storage Temperature	°C	-40~+85
Weight	g	1
Housing Material		Black PBT
Tone Nature		Phosphor Bronze (DSn)
Lead Pin Material		Pin
QTY per Tape / Reel (Blister Gurte)	pcs	

\*Value Applying at Rated Voltage ( resonant frequency , 1/2 duty , square wave )



Unless otherwise specified: Tolerance :± 0.5 (Unit: mm)