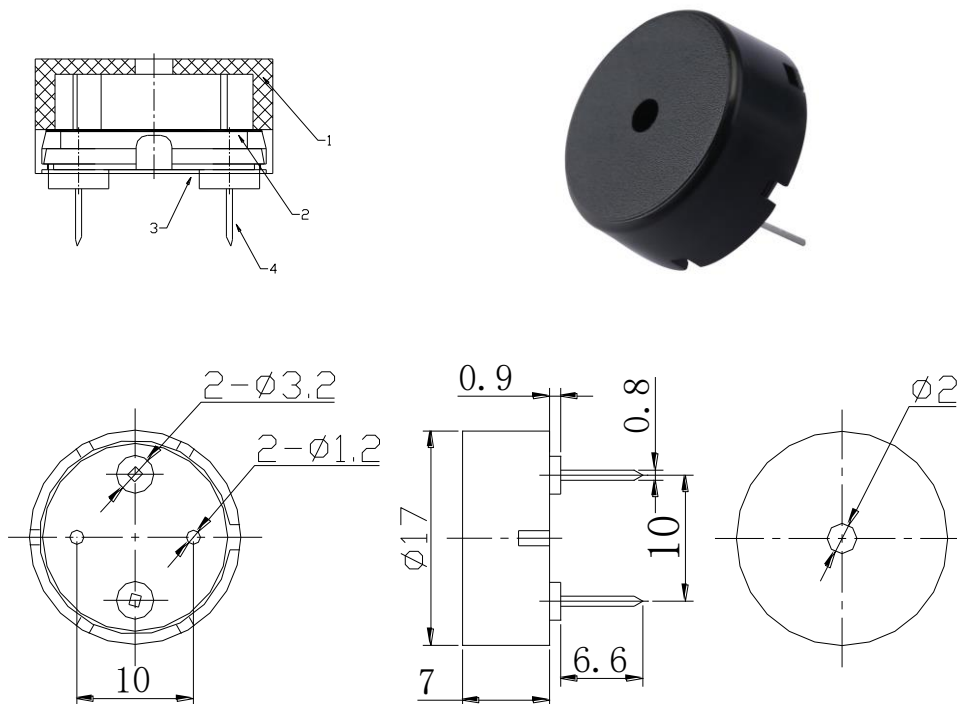


SGNU-UGPA17C		
ITEM	UNIT	SPECIFICATION
Dimensions	mm	Φ17*7
Rated Voltage (Square Wave)	Vp-p	5
Operating Voltage	Vp-p	1-30
*Rated Current (Max)	mA	1
*Min Sound Output at 4.0kHz/10cm	dB	78
*Resonant Frequency	Hz	4000
Capacitance at 120Hz	pF	15000±30%
Operating Temperature	°C	-30~+70
Storage Temperature	°C	-40~+85
Weight	g	1
Housing Material		Black Mppo
Tone Nature		Single
Lead Pin Material		Phosphor Bronze (DSn)
QTY per Tape / Reel (Blister Gurte)	pcs	

*Value Applying at Rated Voltage (resonant frequency , 1/2 duty , square wave)



Unless otherwise specified: Tolerance :± 0.5 (Unit: mm)