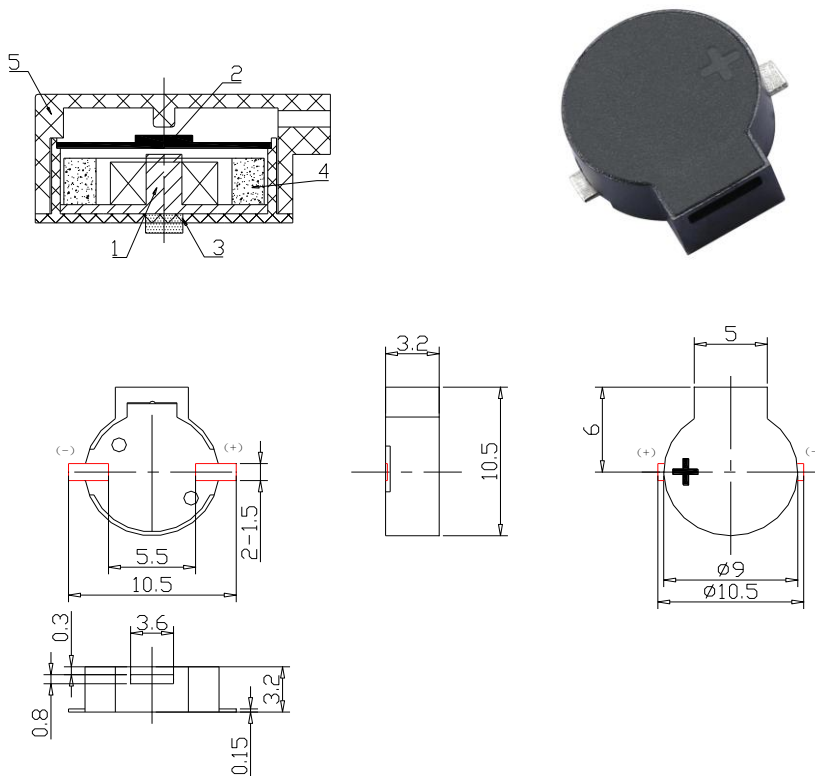


SGNU-UMT09D2		
ITEM	UNIT	SPECIFICATION
Dimensions	mm	φ9*3.2
Rated Voltage (Square Wave)	V	3
Operating Voltage	V	2-4
*Rated Current (Max)	mA	100
*Min Sound Output at 10cm	dB	85
*Resonant Frequency	Hz	2.730
Coil Resistance	Ω	15±3
Operating Temperature	°C	-40~+85
Storage Temperature	°C	-40~+85
Weight	g	0.7
Housing Material		LCP (Black)
Lead Pin Material		Red Copper (DSn)
QTY per Tape / Reel (Blister Gurte)		750

*Value Applying at Rated Voltage (resonant frequency , 1/2 duty , square wave)



Unless otherwise specified: Tolerance :± 0.5 (Unit: mm)