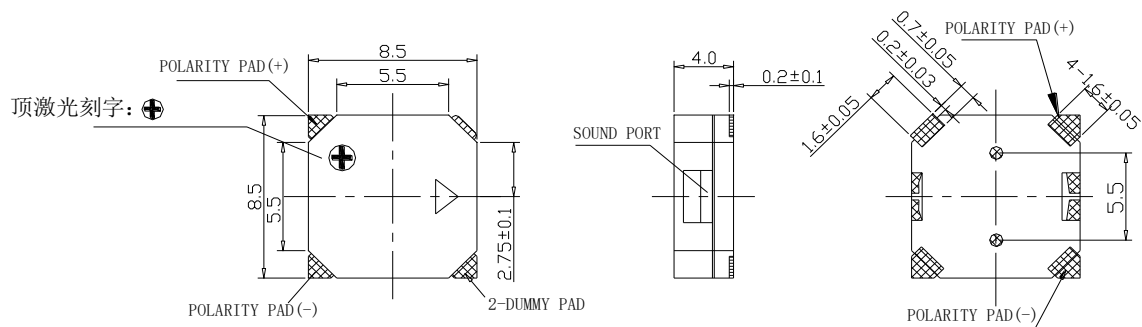
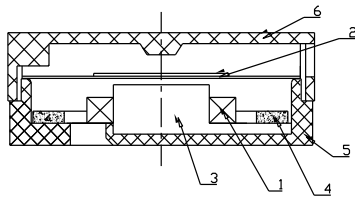


SGNU-UGCT8504D		
ITEM	UNIT	SPECIFICATION
Dimensions	mm	8.5 x 8.5 x 4
Rated Voltage (Square Wave)	Vo-p	3.6
Operating Voltage	Vp-p	2.5-4.5
*Rated Current (Max)	mA	100
*Min Sound Output at 10cm	dB	87
*Resonant Frequency	Hz	2.730
Coil Resistance	Ω	16 \pm 3
Operating Temperature	$^{\circ}$ C	-40~+85
Storage Temperature	$^{\circ}$ C	-40~+85
Weight	g	0.6
Housing Material		LCP (Black)
Lead Pin Material		Brass
QTY per Tape / Reel (Blister Gurte)	pcs	1.000

*Value Applying at Rated Voltage (resonant frequency , 1/2 duty , square wave)



Unless otherwise specified: Tolerance : \pm 0.5 (Unit: mm)