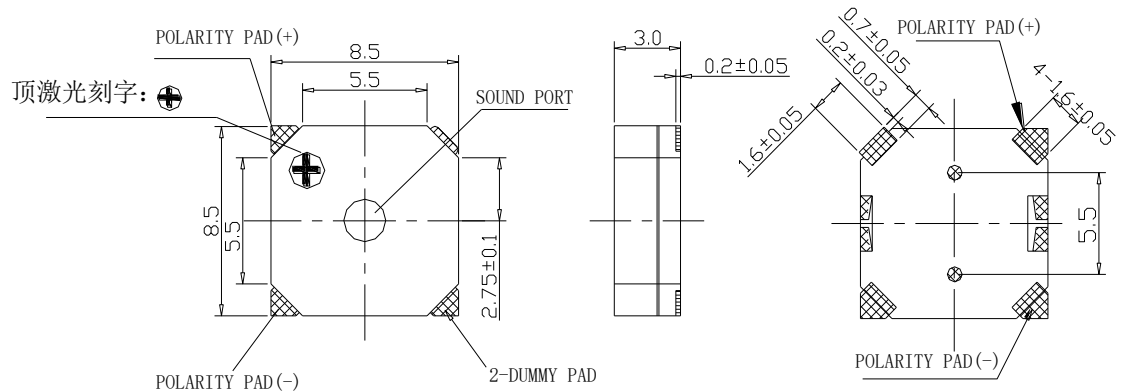
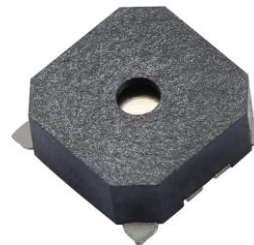
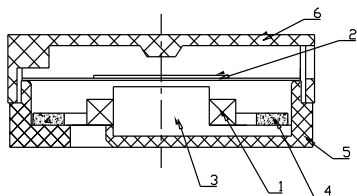


SGNU-UGCT8503DC		
ITEM	UNIT	SPECIFICATION
Dimensions	mm	8.5 x 8.5 x 3
Rated Voltage (Square Wave)	V	3.6
Operating Voltage	V	3-5
*Rated Current (Max)	mA	90
*Min Sound Output at 5 cm	dB	85
*Resonant Frequency	Hz	2.730
Coil Resistance	Ω	16 \pm 3
Operating Temperature	$^{\circ}$ C	-40~+85
Storage Temperature	$^{\circ}$ C	-40~+85
Weight	g	0.6
Housing Material		LCP (Black)
Lead Pin Material		Brass(DSn)
QTY per Tape / Reel (Blister Gurte)	pcs	1.000

*Value Applying at Rated Voltage (resonant frequency , 1/2 duty , square wave)



Unless otherwise specified: Tolerance : \pm 0.5 (Unit: mm)