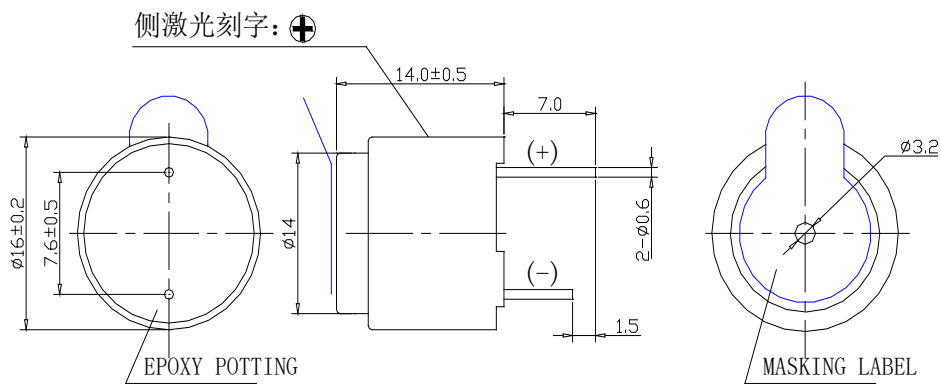
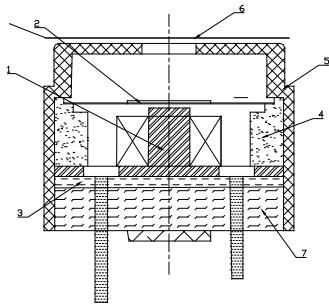


SGNU-UGCM16X		
ITEM	UNIT	SPECIFICATION
Dimensions	mm	φ16*14
Rated Voltage (Square Wave)	VDC	6
Operating Voltage	VDC	4-8
*Rated Current (Max)	mA	30
*Min Sound Output at 10cm	dB	85
*Resonant Frequency	Hz	2300±300
Operating Temperature	°C	-30~+70
Storage Temperature	°C	-40~+85
Weight	g	7
Housing Material		NORYL
Lead Pin Material		Red Copper (DSn)
QTY per Tape / Reel (Blister Gurte)		

\*Value Applying at Rated Voltage ( DC )



Unless otherwise specified: Tolerance :± 0.5 (Unit: mm)