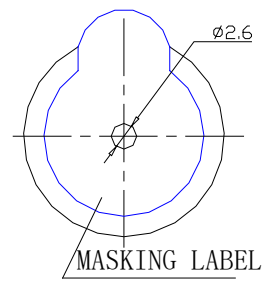
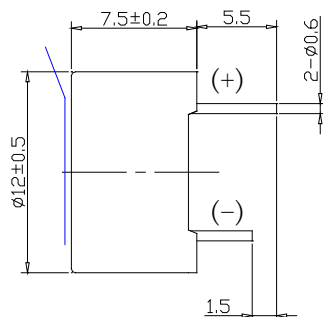
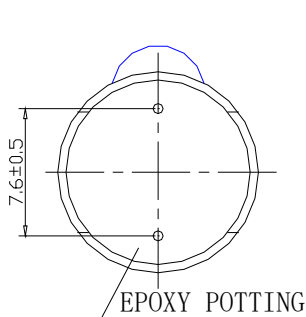
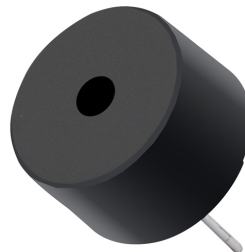
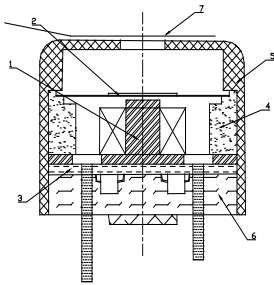


SGNU-UGCM12BXIC		
ITEM	UNIT	SPECIFICATION
Dimensions	mm	φ12*7.5
Rated Voltage (Square Wave)	VDC	3
Operating Voltage	VDC	2-5
*Rated Current (Max)	mA	30
*Min Sound Output at 10cm	dB	83
*Resonant Frequency	Hz	3000±100
Operating Temperature	°C	-30~+70
Storage Temperature	°C	-40~+85
Weight	g	2
Housing Material		PBT
Lead Pin Material		Red Copper (DSn)
QTY per Tape / Reel (Blister Gurte)	pcs	

* Value Applying at Rated Voltage (DC)



Unless otherwise specified: Tolerance :± 0.5 (Unit: mm)