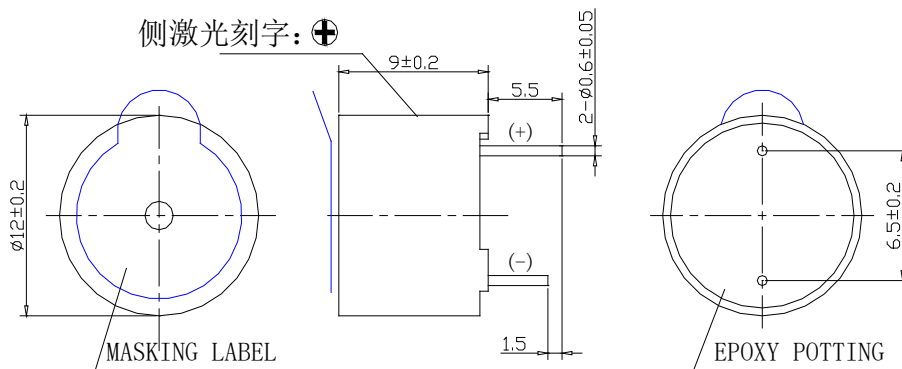
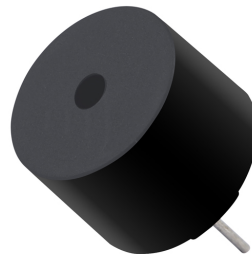
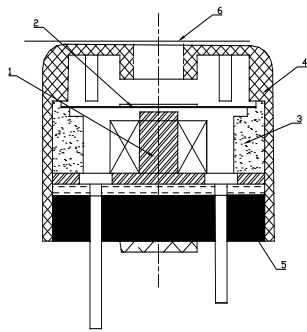


SGNU-UGCM12A		
ITEM	UNIT	SPECIFICATION
Dimensions	mm	φ12*9
Rated Voltage (Square Wave)	V	5
Operating Voltage	V	3-8
*Rated Current (Max)	mA	40
*Min Sound Output at 10cm	dB	85
*Resonant Frequency	Hz	2.400
Coil Resistance	Ω	47±5
Operating Temperature	°C	-30~+70
Storage Temperature	°C	-40~+85
Weight	g	2
Housing Material		NORYL
Lead Pin Material		Red Copper (DSn)
QTY per Tape / Reel (Blister Gurte)	pcs	

*Value Applying at Rated Voltage (resonant frequency , 1/2 duty , square wave)



Unless otherwise specified: Tolerance :± 0.5 (Unit: mm)