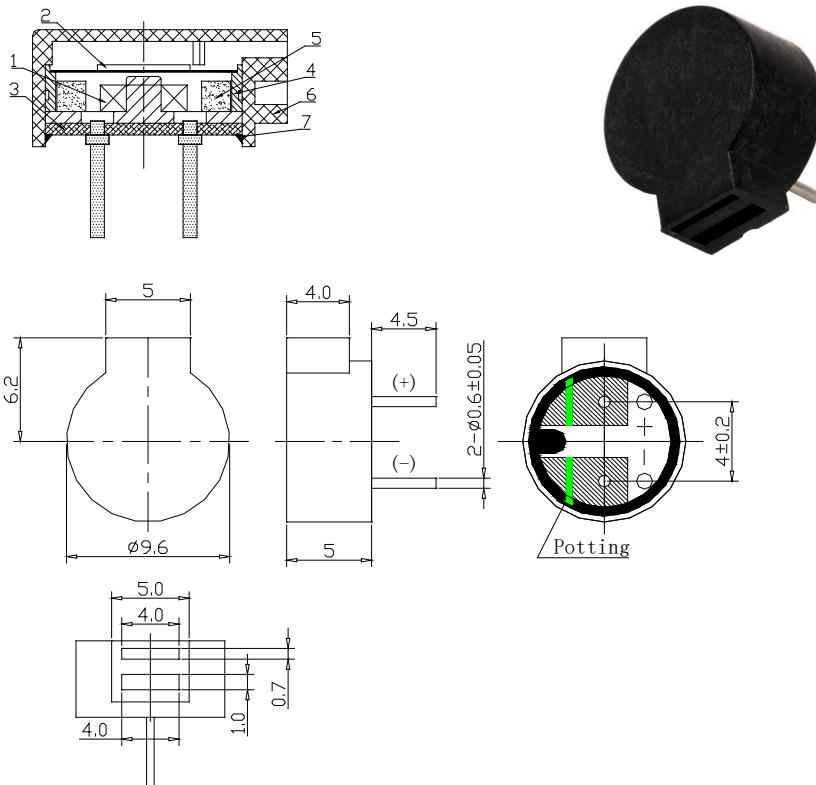


SGNU-UGCM09B		
ITEM	UNIT	SPECIFICATION
Dimensions	mm	φ9.6*5
Rated Voltage (Square Wave)	V	1.5
Operating Voltage	V	1-3
*Rated Current (Max)	mA	80
*Min Sound Output at 10cm	dB	85
*Resonant Frequency	Hz	2.731
Coil Resistance	Ω	5.5±1
Operating Temperature	°C	-30~+70
Storage Temperature	°C	-40~+85
Weight	g	1.0
Housing Material		NORYL
Lead Pin		Red Copper
QTY per Tape / Reel (Blister Gurte)	pcs	

*Value Applying at Rated Voltage (resonant frequency , 1/2 duty , square wave)



Unless otherwise specified: Tolerance :± 0.5 (Unit: mm)